

---

# TORQUE FORCE INSTALLATION MANUAL

---

The complete INSTALLATION GUIDE for our  
**eRSXT SYSTEM**



## ABOUT THESE INSTRUCTIONS

### **About these instructions**

The following instructions include text sections, but also an illustrated section showing the main installation steps. The illustrated section can be found in section installation guide of this document.

These instructions are **original instructions** as described in the EC Directive 2006/42/EC. They contain important information regarding the product. Please read and follow the instructions attentively. Pay particular attention to all safety and warning notices.

**Keep these instructions in a safe place for further reference!**

### **Warnings used**

The general warning symbol indicates a danger  that can lead to injury or death. In the text, the general warning symbol will be used with the caution levels described below.



### **WARNING**

Indicates a potentially hazardous situation which, if not avoided, could result in death or serious injuries.

### **NOTICE**

Indicates a potentially hazardous situation which, if not avoided, could result in damage or destruction of the product.

## SAFETY INSTRUCTIONS

### Intended use

This system has been designed for private and residential use only.

### General safety instructions

- The field of application for this residential system is explained in EN 13241-1.
- When the system is installed, attention must be paid to potential hazards as defined in EN 12604 and EN 12453.
- The door installer must ensure that the installation complies with the respective national regulations.
- Installing, maintenance, repair and dismantling of the residential system may only be carried out by trained and qualified person.
- In case of failure (sluggish operation or other malfunctions), a qualified door installer must be appointed immediately for the inspection and repair of the door. The qualified door installer must ensure to respect national regulations.
- Before the door is put into service, it must be tested to make sure that it is easy to operate manually, mechanically sound, in perfect working order and also correctly balanced (EN 12604).
- This manual describes the assembly, use and maintenance of the eRSXT residential system.
- After installation, make sure that the CE marking label has been completed and attached.
- Installation user's manual should be handed to the end user.
- This manual is subject to changes without written notice.

## APPLICATION RANGE

This hardware set has been designed for the following application:

- **Maximum Day Light Width:** 5000 mm
- **Maximum Day Light Height:** 3000 mm
- **Maximum Door Weight:** 195 kg
- **Minimum Required Headroom:** 210 mm minimum
- **Minimum Required Sideroom:**
  - Standard: 95 mm minimum
  - Reno: 75 mm minimum
  - Reno Zero Sideroom: 0 mm minimum

## NOTICE

### Damage due to improper fasteners

The fixing fasteners required to install the track set to the building may not be included in this set. It is the responsibility of the qualified door installer to make sure that the building structure (stone, concrete, steel, wood, etc.) is strong enough to ensure a reliable construction. Otherwise, this may result in damage when the door is operated. **Select proper fasteners.**

## INSTALLATION GUIDE



### WARNING

#### ***Danger of injury as the result of structural modifications***

Modifying or removing functional parts may put important safety components out of action. Uncontrolled door movement could occur and persons or objects may be trapped and injured as a result.

- Do not modify or remove any functional parts.
- Do not attach any additional parts. The torsion springs are precisely matched to the door leaf weight. Additional components may overload the springs.
- If equipping the door with a motor operator, pay attention to the instructions provided by the manufacturers of the door and the motor operator. Only use the original connections of the door manufacturer!

Before installing this system, the door opening and the building floor must be completely finished.

Observe the following during installation:

- Make sure there is enough light.
- When performing installation or maintenance, always wear at least gloves (some parts can have sharp edges) and safety boots.
- When drilling or cutting, always wear safety goggles.
- Only use appropriate tools, especially when applying tension to torsion springs.
- Make sure you can always perform your work in a stable environment.
- Make sure there is a secure connection with the building structure, and that you have obtained prior approval from the structural engineer if you fasten the door system to supporting structural members.
- Ensure adequate water run-off in the area of the bottom seal and the frame parts, otherwise there is a danger of corrosion.

***To ensure simple and secure assembly, please follow the work steps listed in the illustrated section.***



### WARNING

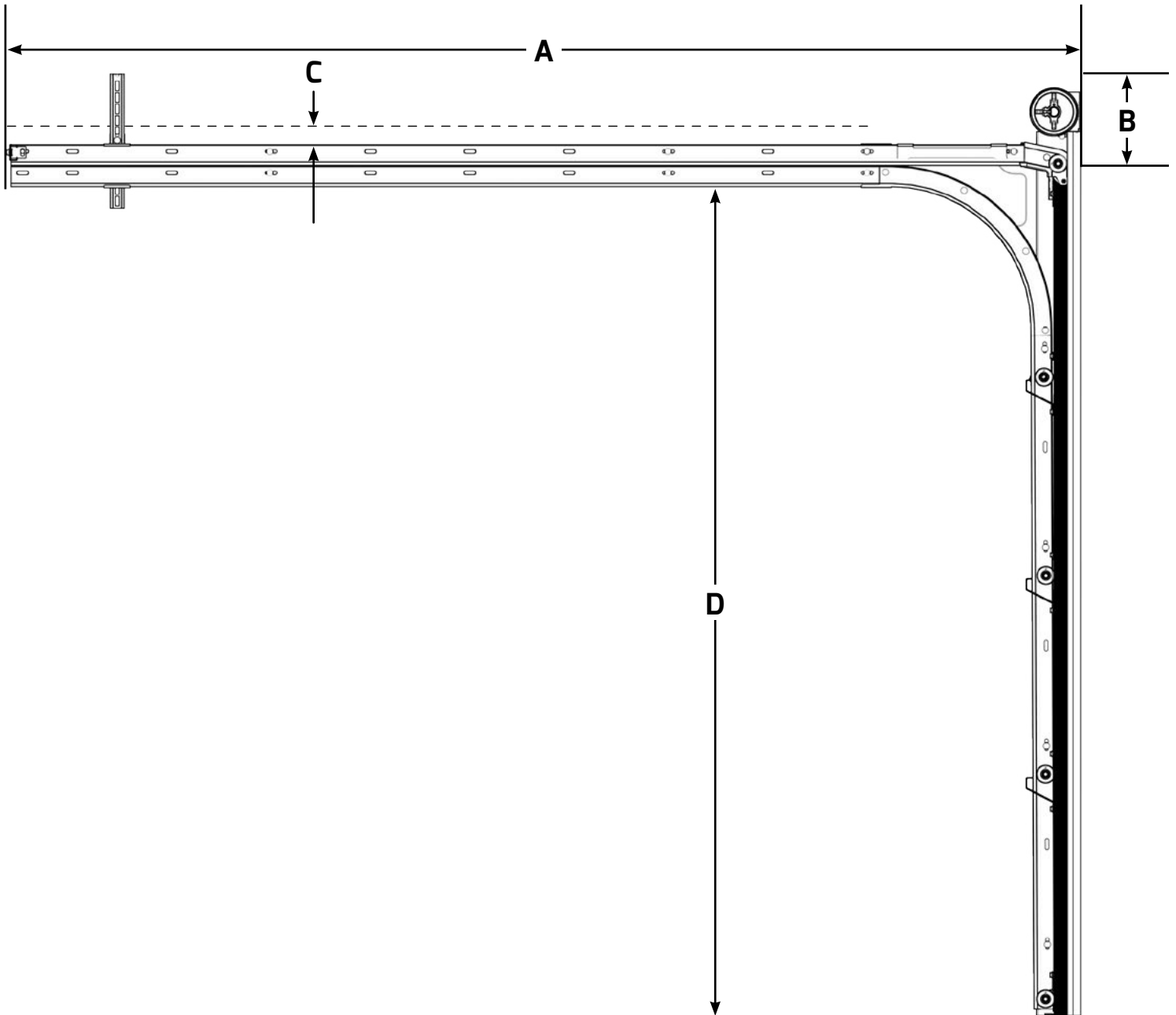
#### ***Danger due to high torque***

Springs are under high torque stress and may discharge high forces if they are not secured during tensioning. Fix the door leaf to prevent movement before tensioning the springs.

When the springs are tensioned correctly, the moving door leaf has a slight tendency to pull upwards. Each time the door is maintained, the tension of the springs should be checked and, if necessary, subsequently re-adjusted.

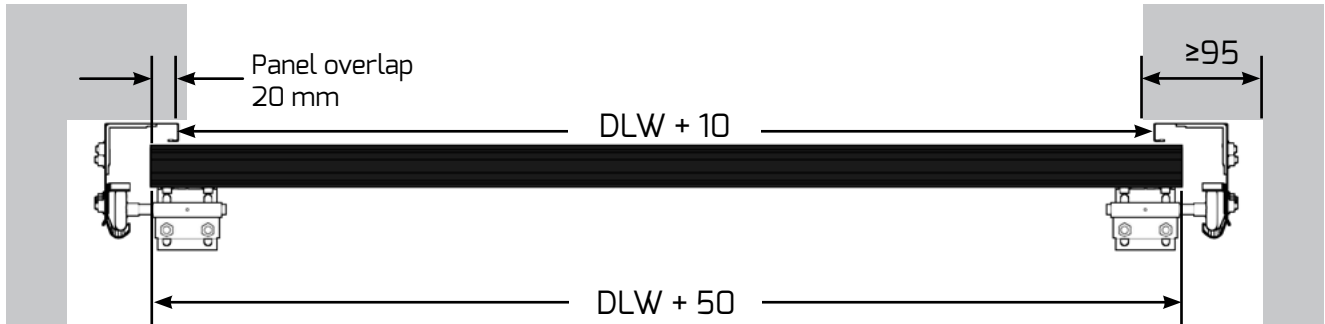
## GENERAL DIMENSIONAL REQUIREMENTS

PLATFORM	A BACK ROOM	B MINIMUM HEAD ROOM	C UPPER CLEARANCE	D HORIZONTAL TRACK HEIGHT
eRSXT STANDARD				
eRSXT RENO	DLH + 575 mm	210 mm	10 mm	DLH - 35 mm
eRSXT RENO ZERO SIDE ROOM				

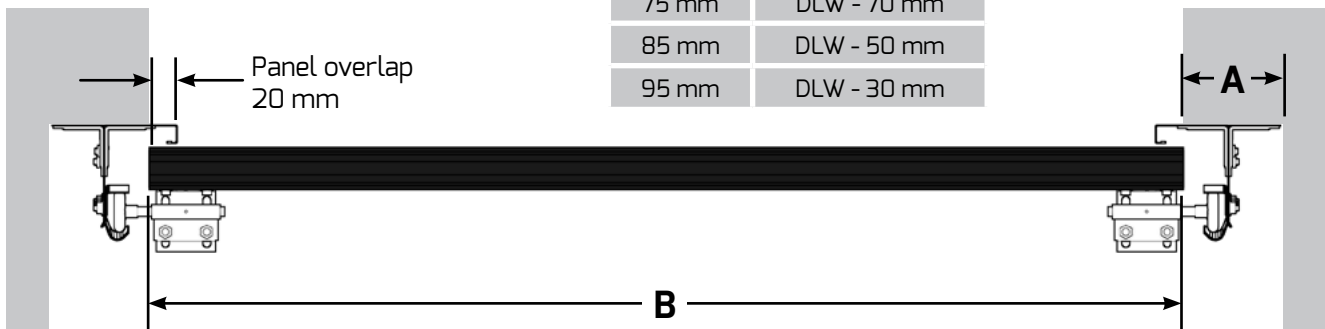


# GENERAL DIMENSIONAL REQUIREMENTS

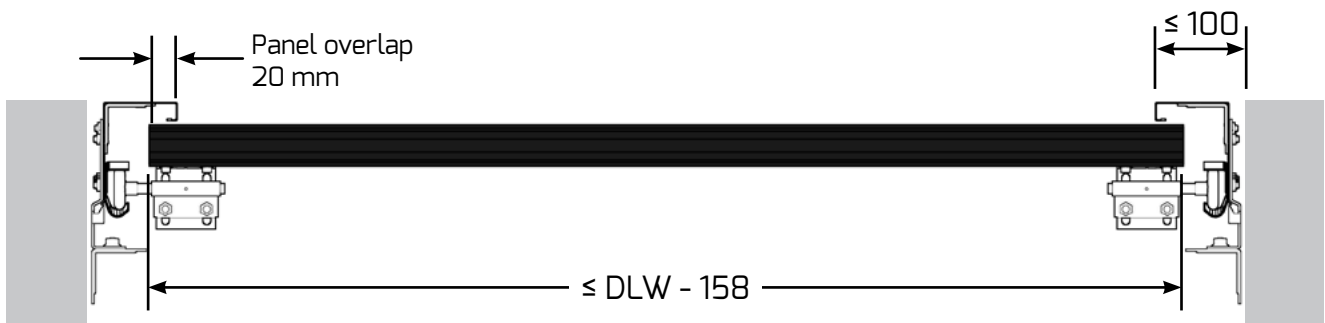
## STANDARD



## RENO



## RENO (ZERO SIDEROOM)



# Parts list

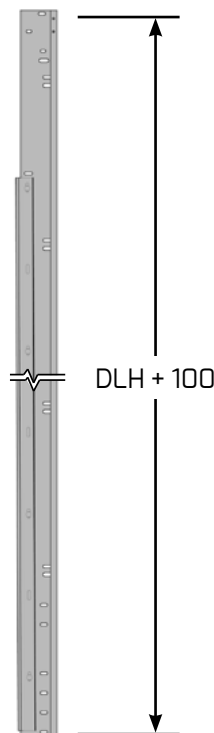
## A VERTICAL TRACK SET (PAIR)

### 1 - STANDARD

Part number	DLH
212938	1875
212940	2000
212941	2125
212942	2250
212943	2375
212944	2500
214188	2625
219866	2750
219875	3000

### 2 - RENO

Part number	DLH
212945	1955
212946	2080



## B FOOT PLATE

Part number	Side
212177	L
212178	R



## C C-PROFILE ASSEMBLY

Part number	DLW
213061	2250
213060	2315
213059	2375
213058	2440
213057	2500
213056	2625
213055	2750

Part number	DLW
213053	3000
217049	3250
215183	3500
217046	3750
215184	4000
222990	4500
222986	5000



**D C-PROFILE BRACKET**

<b>Part number</b>
212292



**E C-PROFILE CONNECTOR**

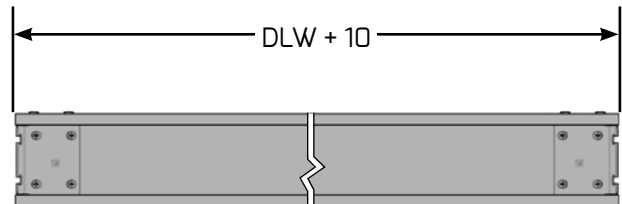
<b>Part number</b>
198246



**F LINTEL ASSEMBLY**

**1 - STANDARD**

Part number	DLW
213067	2250
217127	2315
213068	2375
217125	2440
213066	2500
213069	2625
213070	2750
213071	3000
217126	3250
215179	3500
217124	3750
215180	4000
222991	4500
222985	5000

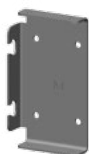


**2 - RENO**

Part number	DLW
213072	2315
213073	2440

**G LINTEL SIDE BRACKET**

<b>Part number</b>
212189





**H LINTEL CENTER BRACKET**

<b>Part number</b>
212540



**I CENTER SUPPORT**

<b>Part number</b>
194173



**J SIDE SEAL**

**1 - STANDARD**

Part number	DLH
217406	1875
217407	1955
217408	2000
217409	2080
217410	2125
217411	2250
217413	2375
217414	2500
217415	2625
217416	2750
217417	3000



**2 - RENO**

Part number	DLH
213016	1955
213017	2080



**3 - THERMAL BREAK**

Part number	DLH
212306	3000



**K TOP SEAL**

**1 - STANDARD**

Part number	DLW
217393	2250
217394	2315
217395	2375
217396	2440
217397	2500
217398	2625
217399	2750
217400	3000
217401	3250
217402	3500
217403	3750
217404	4000
217405	4500
222837	5000



**2 - RENO**

Part number	DLW
213018	2315
213019	2440



**3 - THERMAL BREAK**

Part number	DLW
217040	4520



**L BOTTOM SEAL**

**1 - GENERIC**

Part number	L
189218	50000



**2 - EPCO**

Part number	L
204623	25000



**M BOTTOM/ TOP PROFILE****1 - STANDARD**

Part number	L
189221	5850

**2 - LONG**

Part number	L
194319	5850

**N FASTENERS****1 - NUT**

Part number	D	L
145994	8-1.25	-

**2 - BOLT**

Part number	D	L
203884	8-1.25	15

**3 - PANEL SCREW**

Part number	D	L
190019	6.3	16
189858	6.3	35

**4 - WALL ANCHORS**

Part number	D	L
212065	-	-

**5 - ROLLER SPACER**

Part number	D	L
186121	11	5
186118	11	10

**6 - KEY**

Part number	D	L
184192	6.4 x 9.5	76.2
226356	6.4 x 9.5	88.9

**7 - LINTEL SCREW**

Part number	D	L
213015	4	12



**O INSTALLATION ANGLE**

<b>Part number</b>
212176



**P ZERO SIDE ROOM MOUNTING BRACKET**

<b>Part number</b>
212486



**Q SHORT HORN**

Part number	Side
212250	L
212249	R



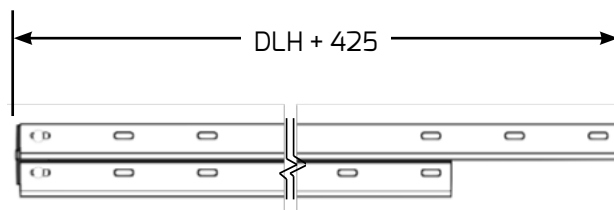
**R CURVE**

<b>Part number</b>
213014



**S HORIZONTAL TRACK SET (PAIR)**

Part number	DLH
212830	1875
212831	1955
212832	2000
212833	2080
212711	2125
212834	2250
212835	2375
212836	2500
214187	2625
219862	2750
219867	3000



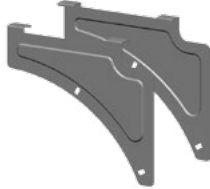
**T CONNECTOR**

<b>Part number</b>
212185



**U CURVE COVER (PAIR)**

<b>Part number</b>
212490



**V SUSPENSION SYSTEM**

**1 - ROOF HANGER**

Part number	L
198512	176
198513	350
207403	408



**2 - TRACK HANGER**

<b>Part number</b>
198514



**3 - REINFORCEMENT**

<b>Part number</b>
200577



**W PERFORATED ANGLE**

Part number	L
204083	3050



**X BOTTOM CORNER BRACKET (PAIR)**

<b>Part number</b>
225866



## Y HINGES

### 1 - SIDE

Part number	Panel brand	Roller holder
194204	EPCO	Y
220541	EPCO	N
169344	KINGSPAN / TECSEDO / METECNO / ITALPANNELLI	Y
217636	KINGSPAN / TECSEDO / METECNO / ITALPANNELLI	N
194196	THYSSENKRUPP	Y
217638	THYSSENKRUPP	N



### 2 - CENTER

Part number	Panel brand
194199	EPCO
193195	KINGSPAN / TECSEDO / METECNO / ITALPANNELLI
194200	THYSSENKRUPP
169026	NON FINGERSAFE



### 3 - TANDEM

Part number	Panel brand
194201	EPCO
193193	KINGSPAN / TECSEDO / METECNO / ITALPANNELLI
194202	THYSSENKRUPP



## Z ROLLERS

### 1 - STANDARD

Part number	L	Color	# / BAG
212577	121	Black	2
183875	121	White	10
183876	186	White	10
183847	121	White	2



### 2 - SILENT ROLLERS

Part number	L	Color	# / BAG
217521	121	Black	BULK



### 3 - TANDEM ROLLERS

Part number	L	Color	# / BAG
196232	106	White	BULK



**AA SILENT ROLLER HOLDER**

<b>Part number</b>
217637



**AB TOP ROLLER BRACKET (PAIR)**

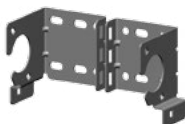
<b>Part number</b>
212258



**AC FRONT MOUNT BEARING PLATE (PAIR)**

1 - eRSXT

<b>Part number</b>
226307



2 - eRSC

<b>Part number</b>
198242



**AD SHAFT**

1 - SHAFT W / KW T2



Part number	DLW
221878	2250
203708	2375
203709	2500
221880	2625
221881	2750
221882	3000
201630	5850

2 - SHAFT W / KW T3



Part number	DLW
221883	3250
221884	
221885	3500
221886	
221887	3750
221888	
221889	4000
221890	
221891	4500
221892	
203716	5000
203717	
201624	5850

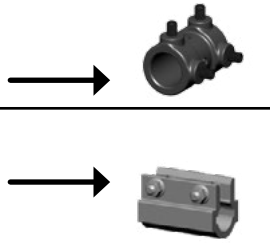
3 - SHAFT ROUND T2



Part number	DLW
226003	2500
226004	3000
226002	5850

**AE COUPLING ALU.**

Part number	L
196545	60
195765	75
195766	90
195767	120



**AF BEARING**

**1 - STANDARD**

Part number
137006



**2 - WITH FLANGETTE**

Part number
137511



**AG CABLE DRUM**

**1 - STANDARD**

Part number	Side	DLH
193577	L	≤ 2400
193574	R	≤ 2400



**2 - CABLE DRUM WITH KEYWAY AND THIRD SET SCREW**

Part number	Side	DLH
194949	L	≤ 2400
194950	R	≤ 2400
194432	L	> 2400
194434	R	> 2400



**AH CABLE**

**1 - WITH STOP BUTTON**

Part number	DLH
226006	1875
	1955
	2000
	2080
	2125
	2250
	2375

Part number	DLH
226005	2500
	2625
	2750
	3000





**AH CABLE**

**2 - WITHOUT STOP BUTTON**

Part number	DLH
217670	1875
	1955
	2000
	2080
	2125
	2250
	2375

Part number	DLH
217668	2500
	2625
	2750
	3000



**AI TORSION SPRING PLUG**

**1 - STATIONARY**

Part number	D
193597	50
195909	67



**2 - WINDING**

Part number	D
193594	50
125826	67



**AJ WINDING BAR**

Part number
191933



**AK SPRING BREAK DEVICE**

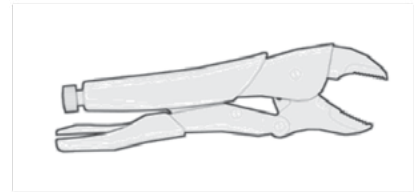
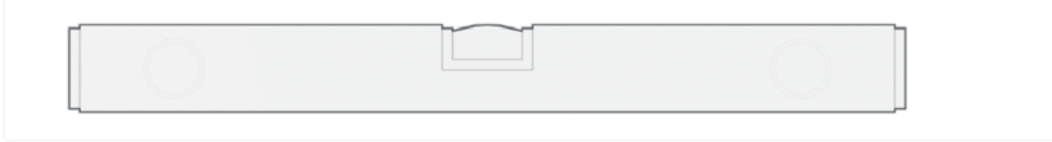
Part number	Side
199021	L
199022	R



# Required tools



**NOT INCLUDED**



2X



10 mm

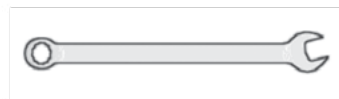
13 mm



3/8"



10 mm



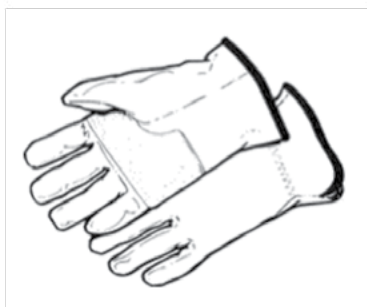
13 mm



10 mm (3/8" )



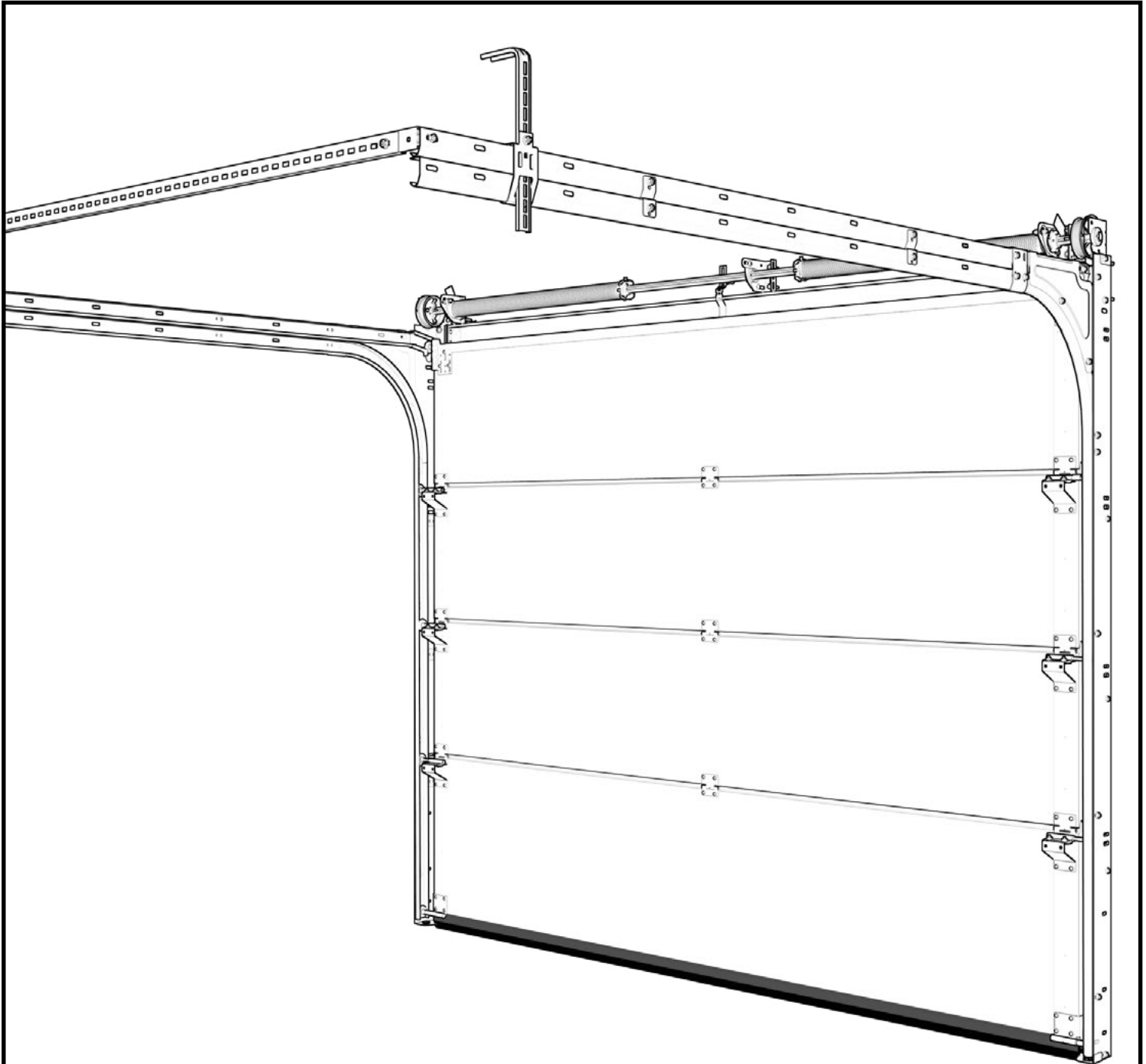
3 mm



2X



# General installation view

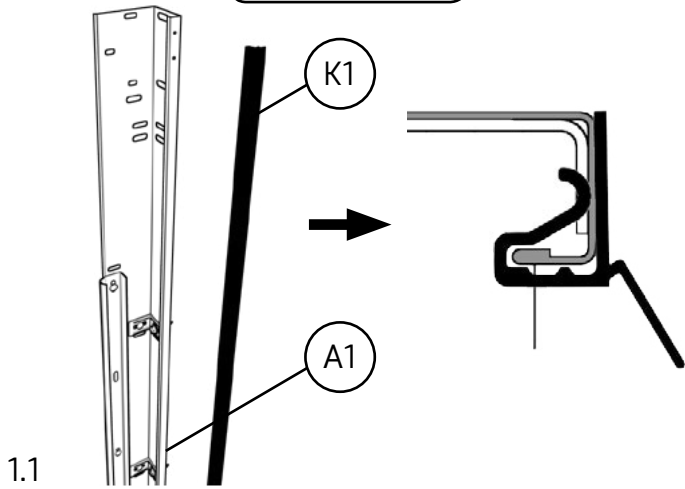


**NOTE:** Throughout this installation manual, only the left side is illustrated. At each step, repeat the installation process for the right side of the door.

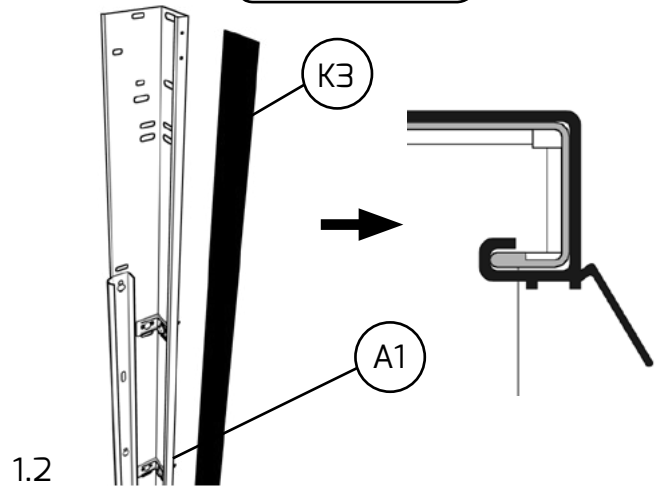
# Installation

1

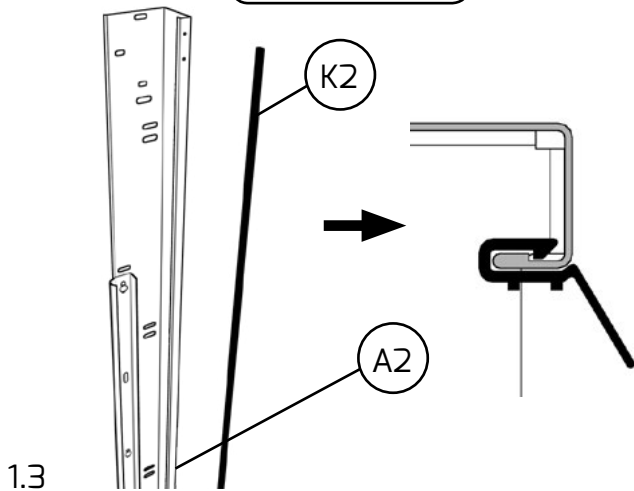
STANDARD



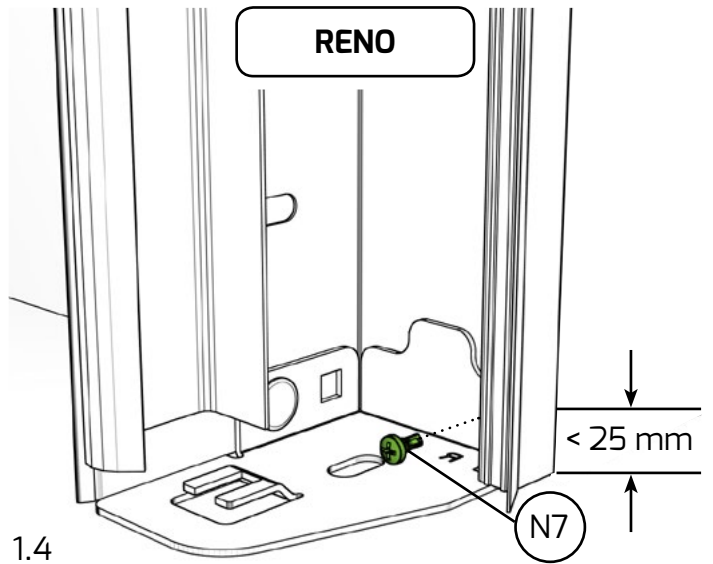
OPTION



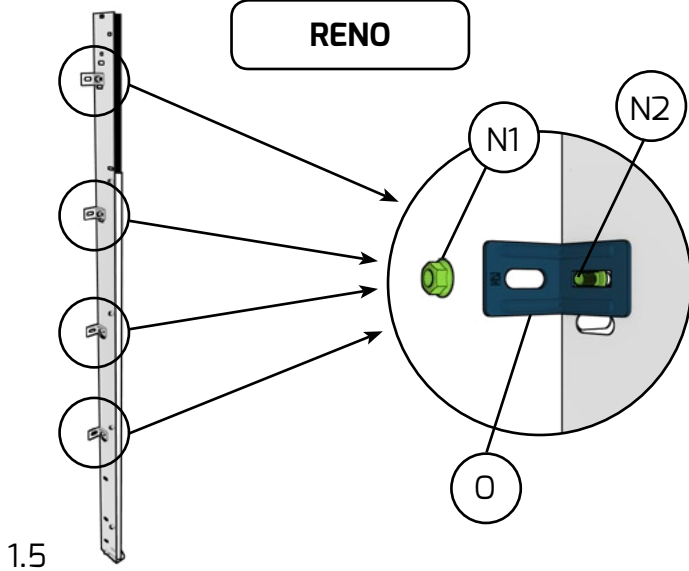
RENO



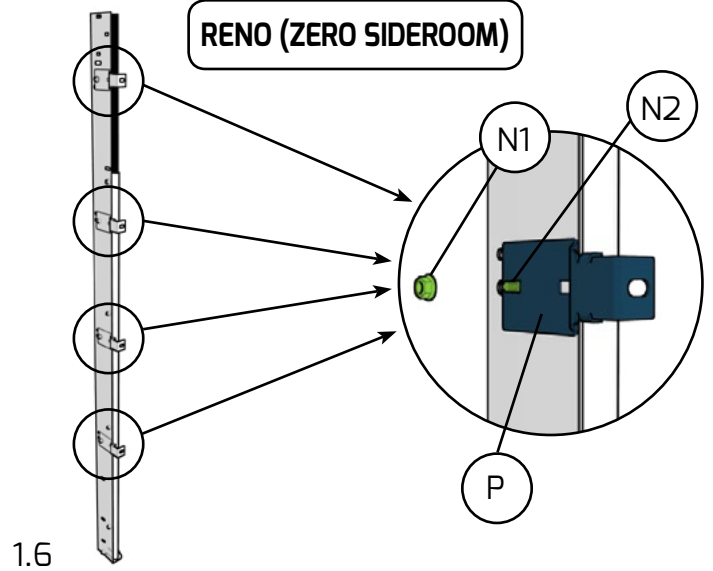
RENO



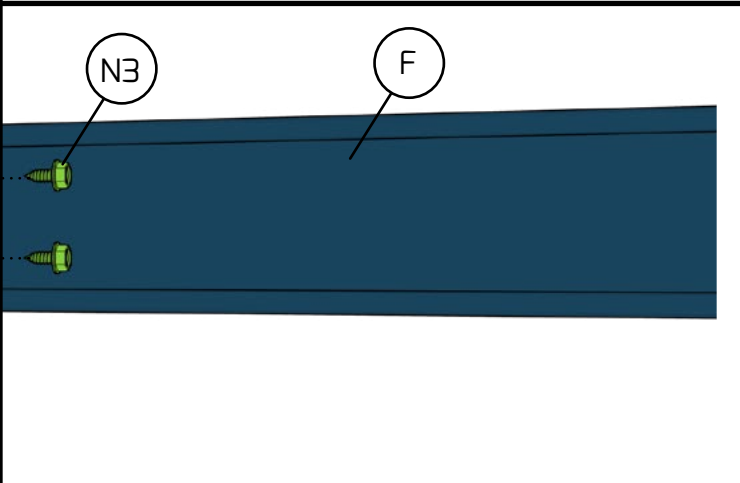
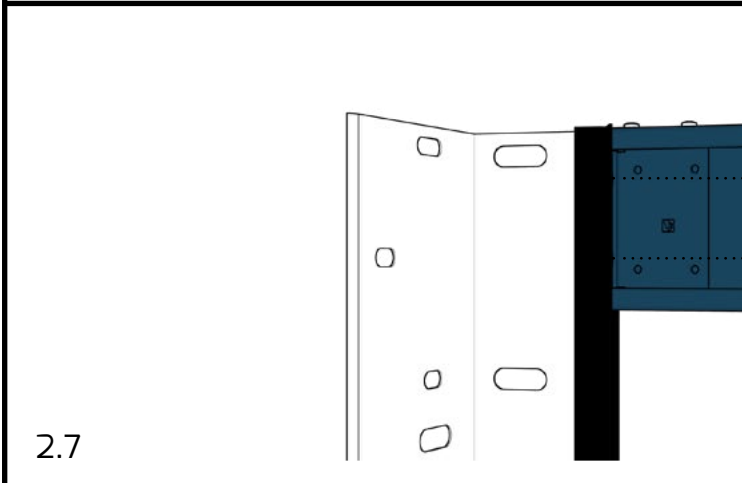
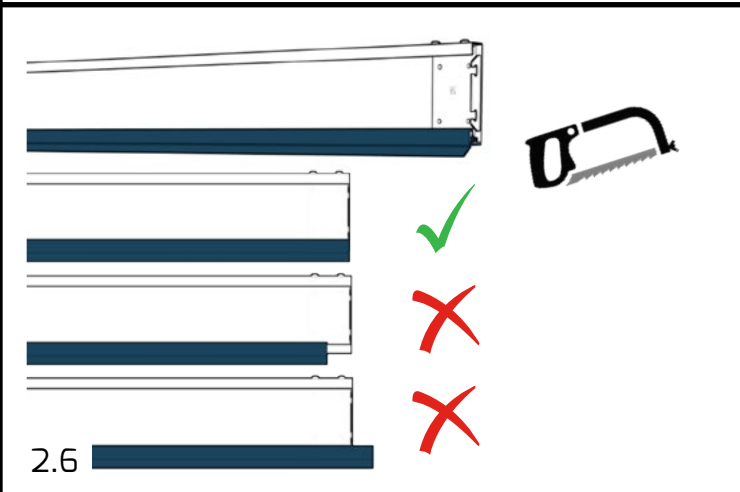
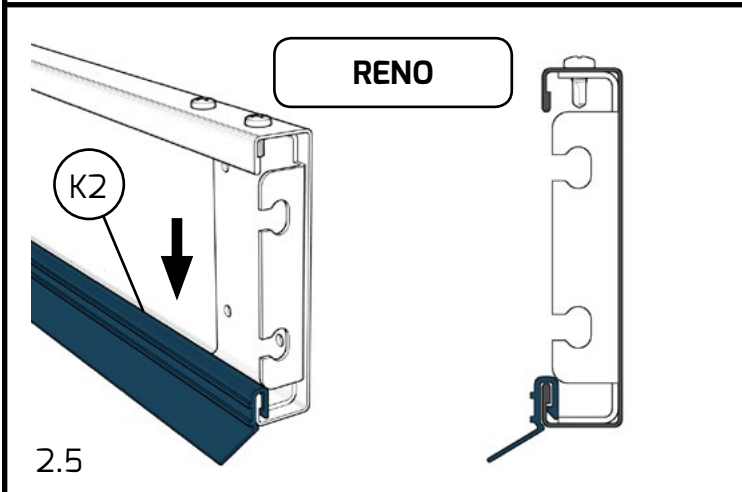
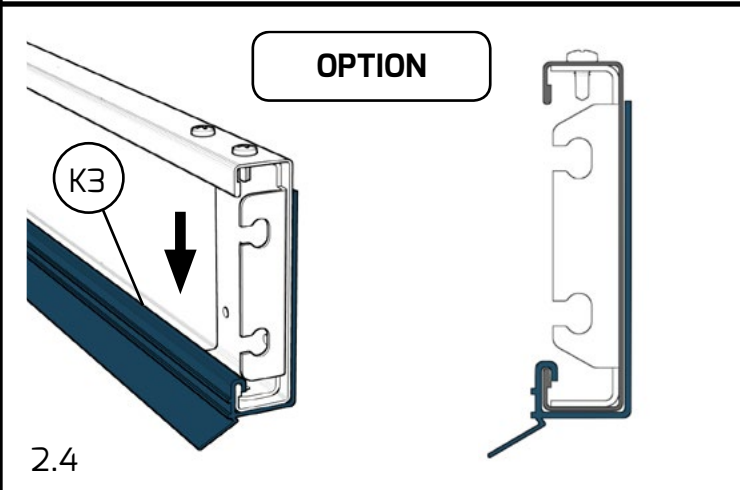
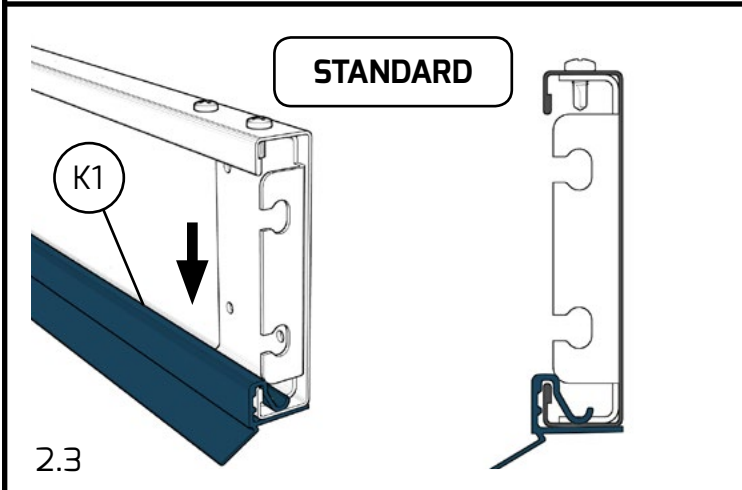
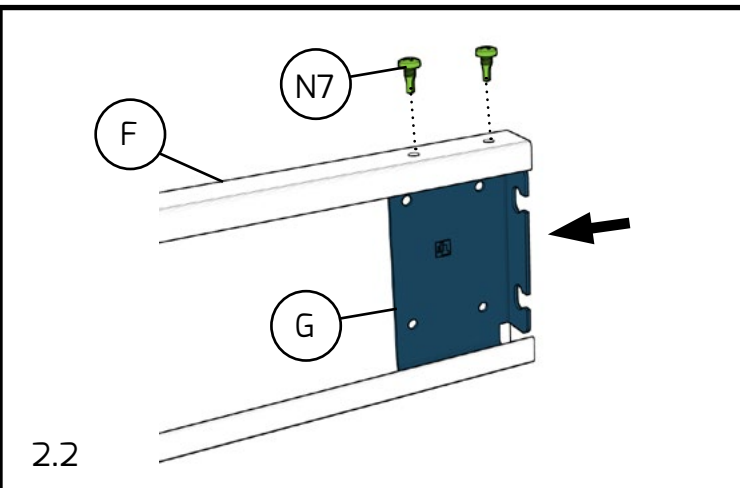
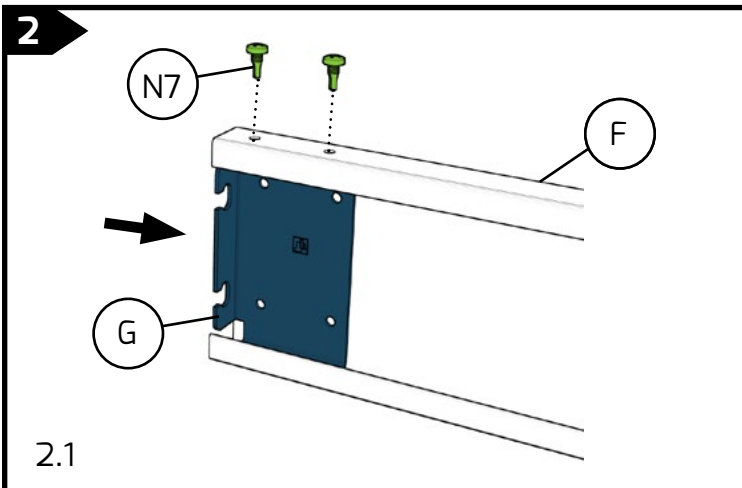
RENO



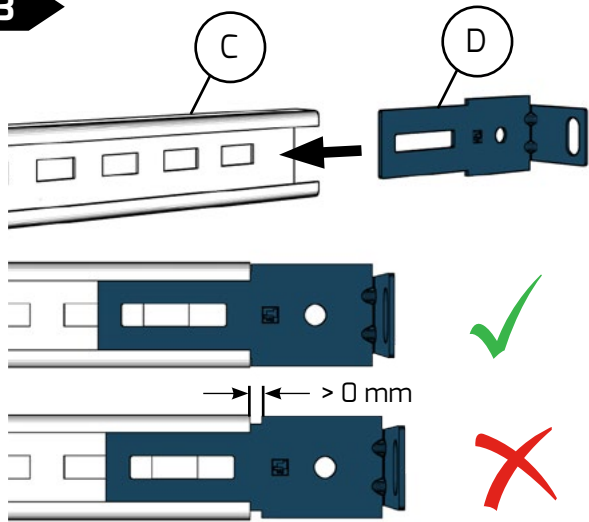
RENO (ZERO SIDEROOM)



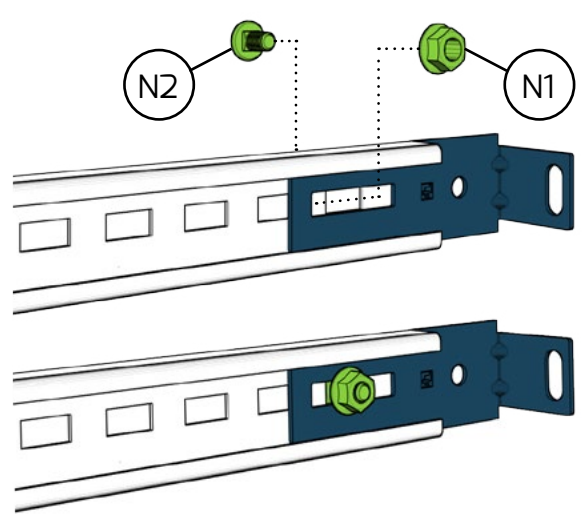
**2**



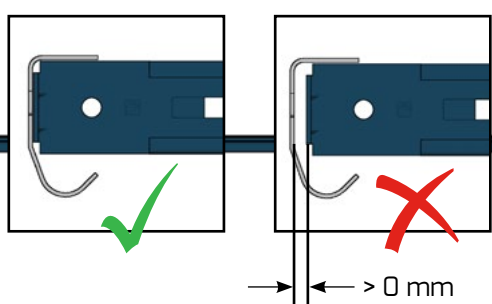
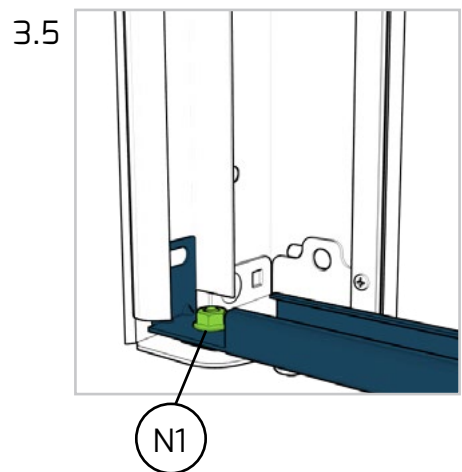
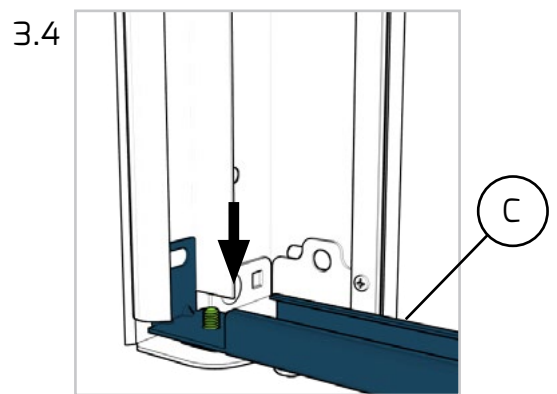
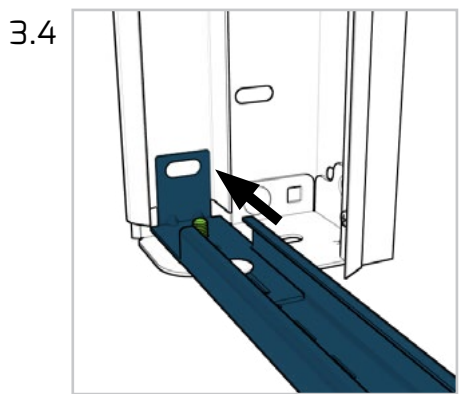
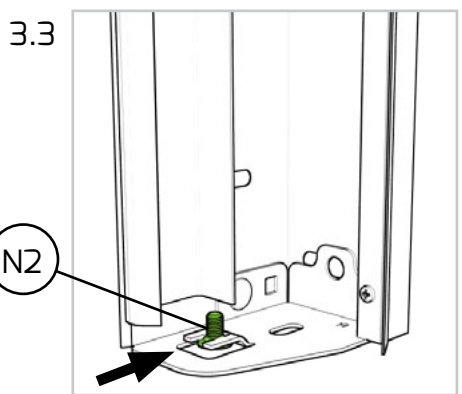
3



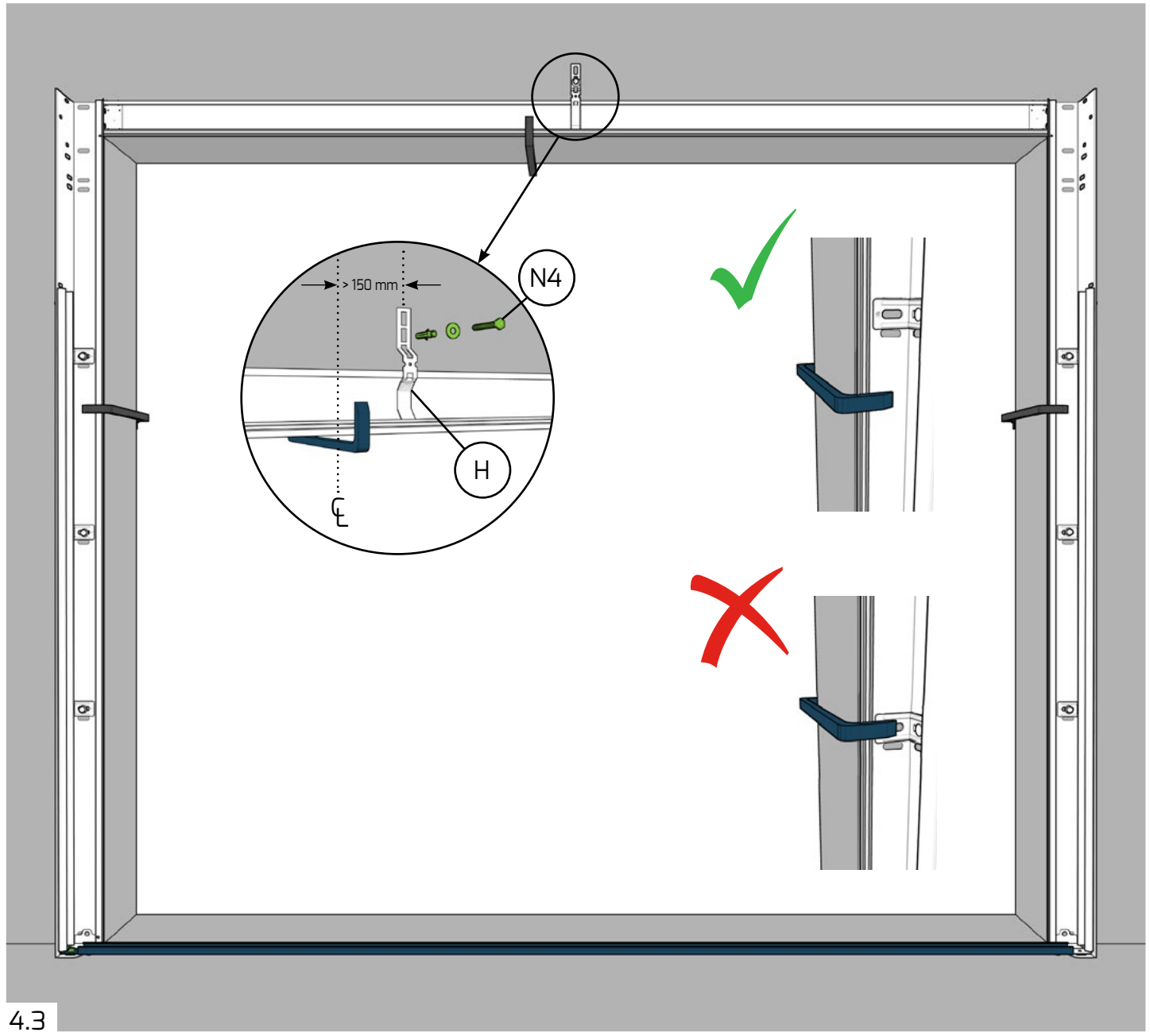
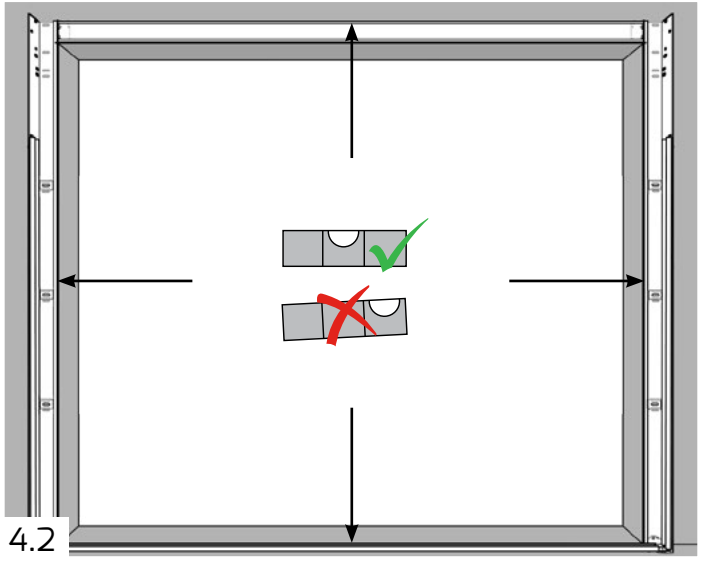
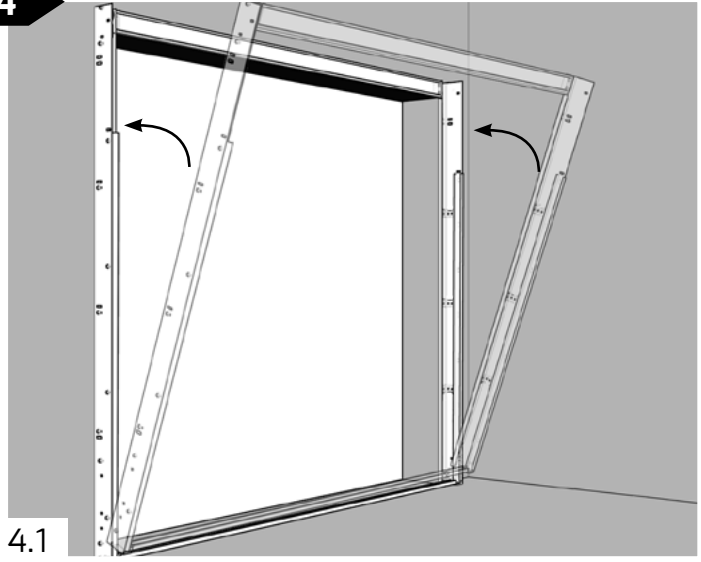
3.1



3.2

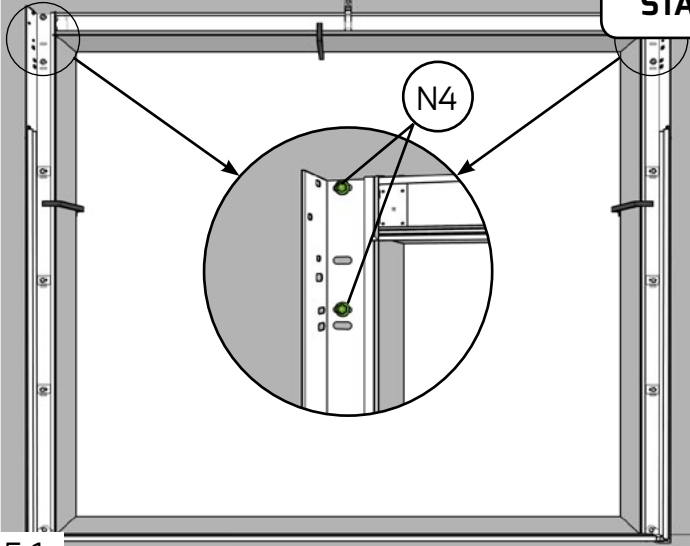


4

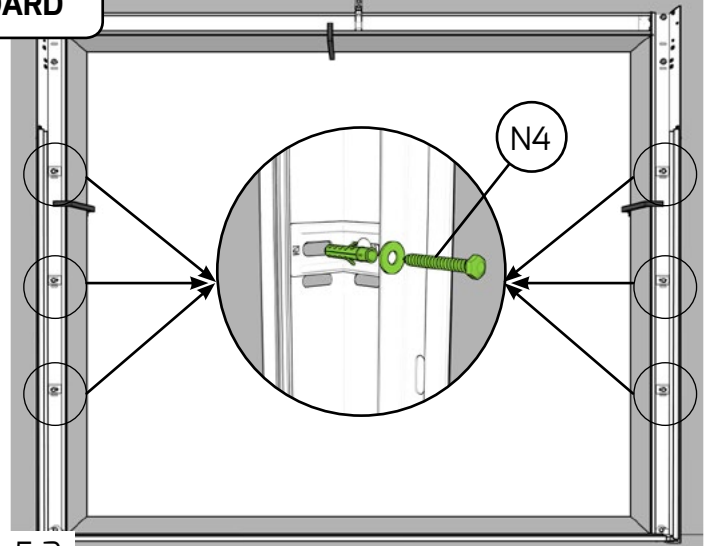


5

STANDARD

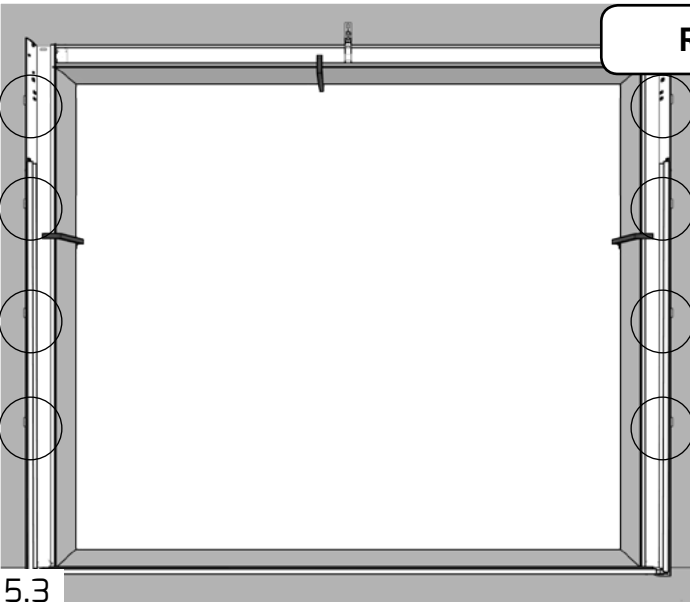


5.1

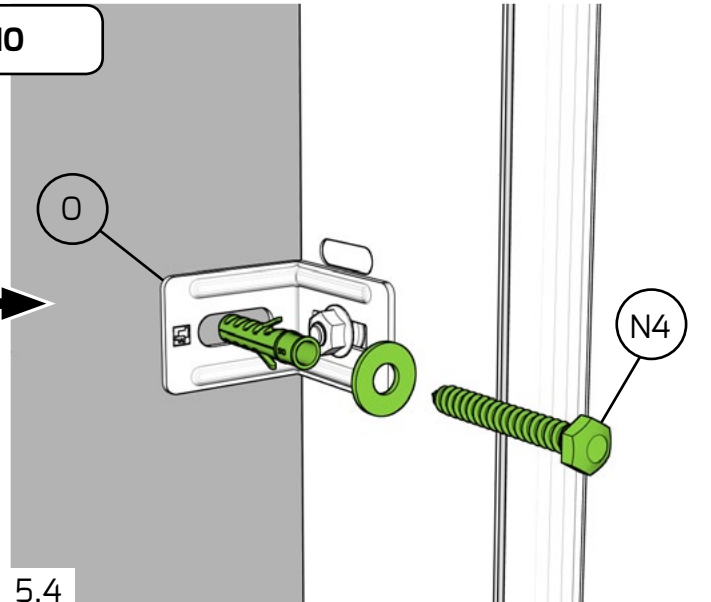


5.2

RENO

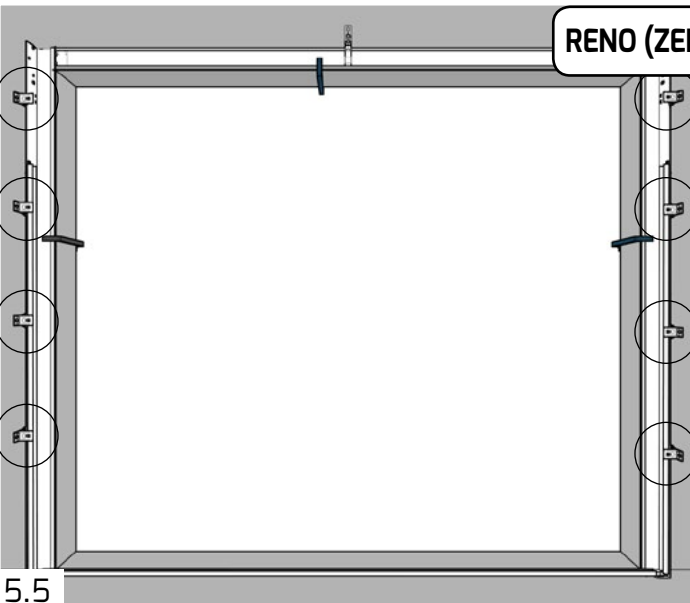


5.3

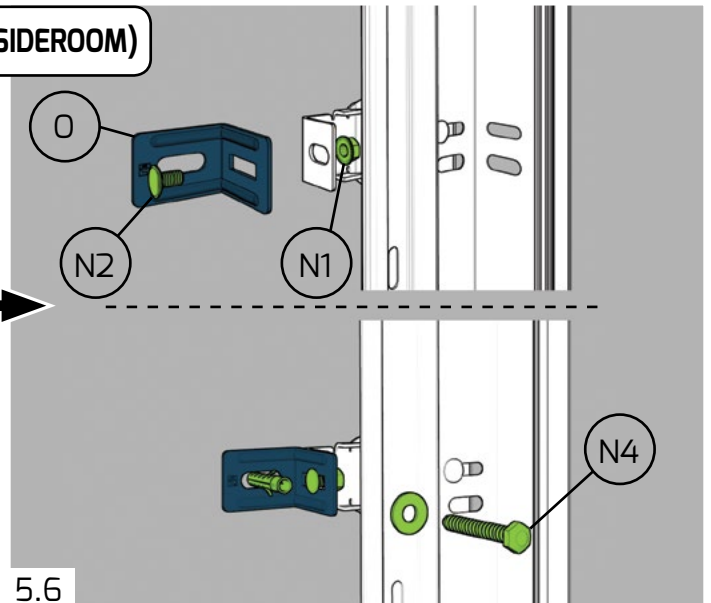


5.4

RENO (ZERO SIDEROOM)



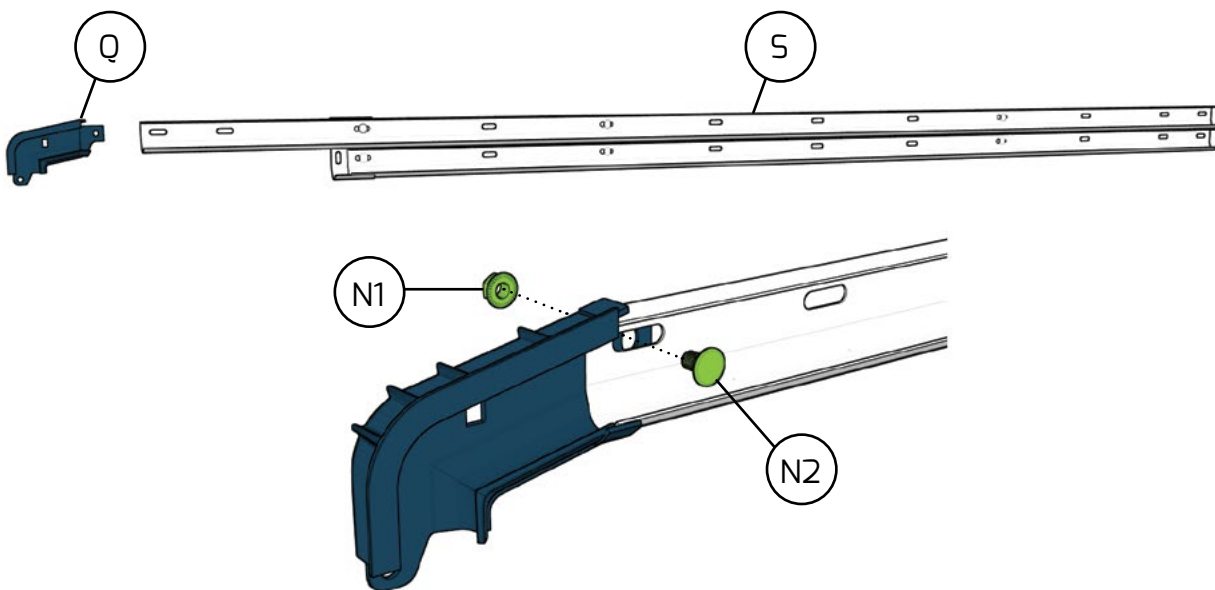
5.5



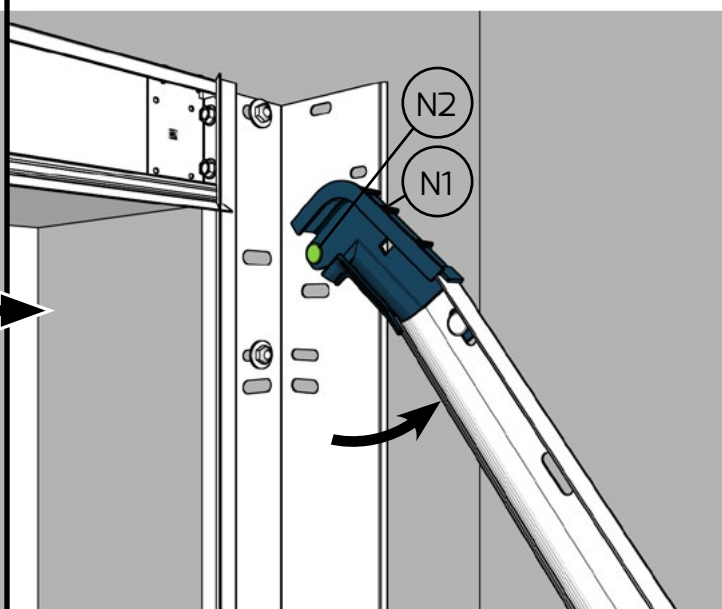
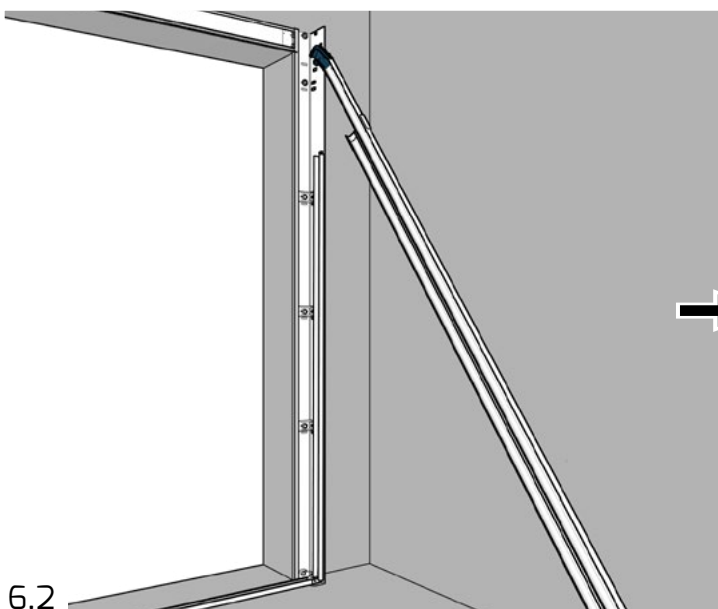
5.6



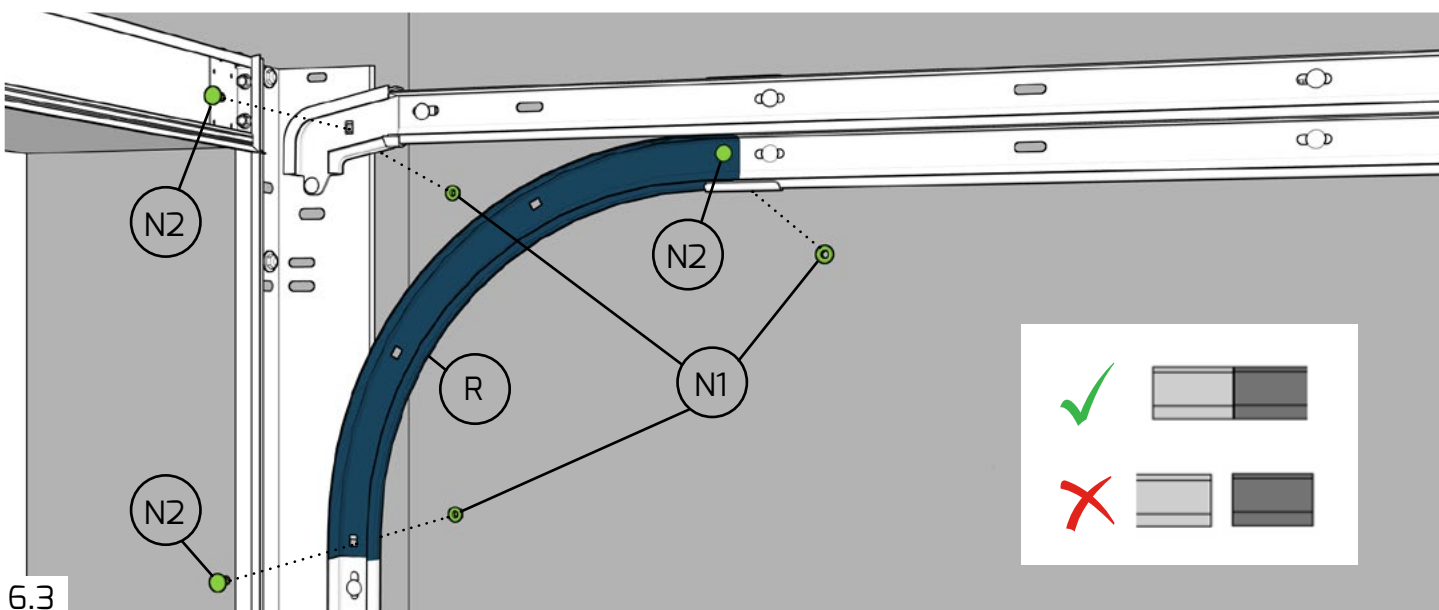
6



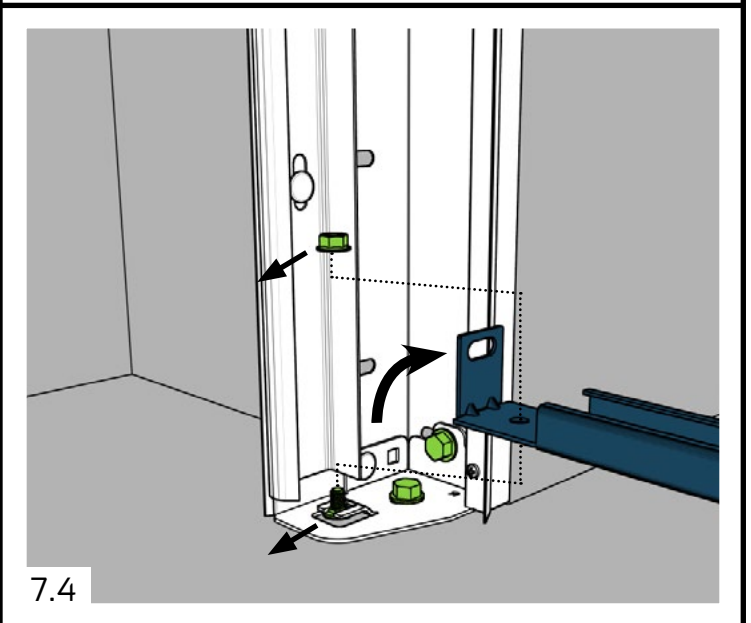
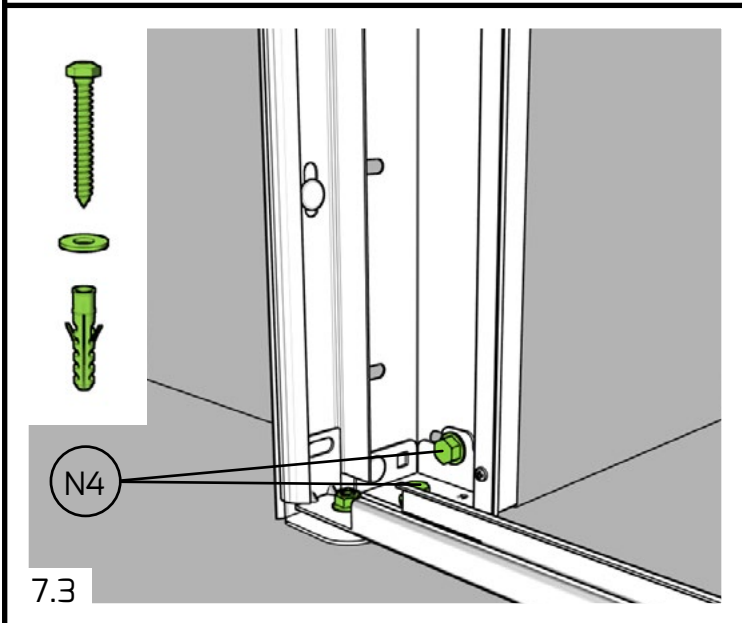
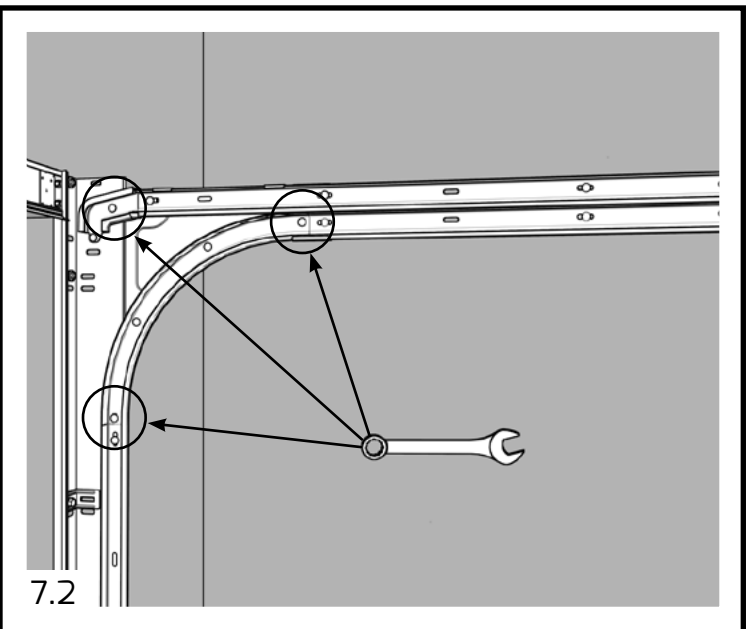
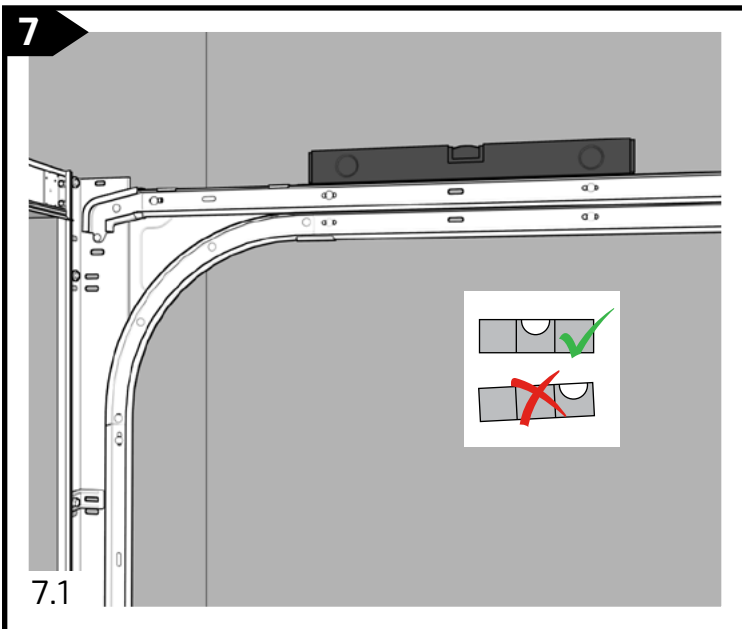
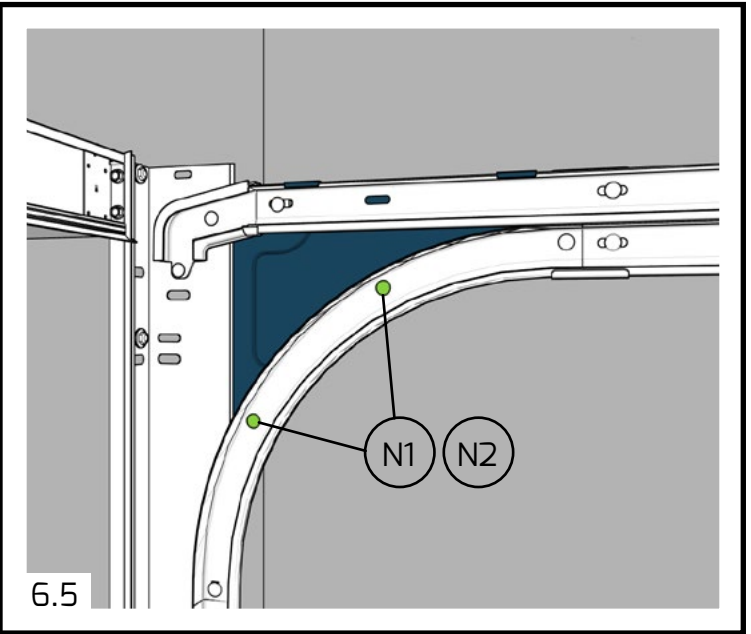
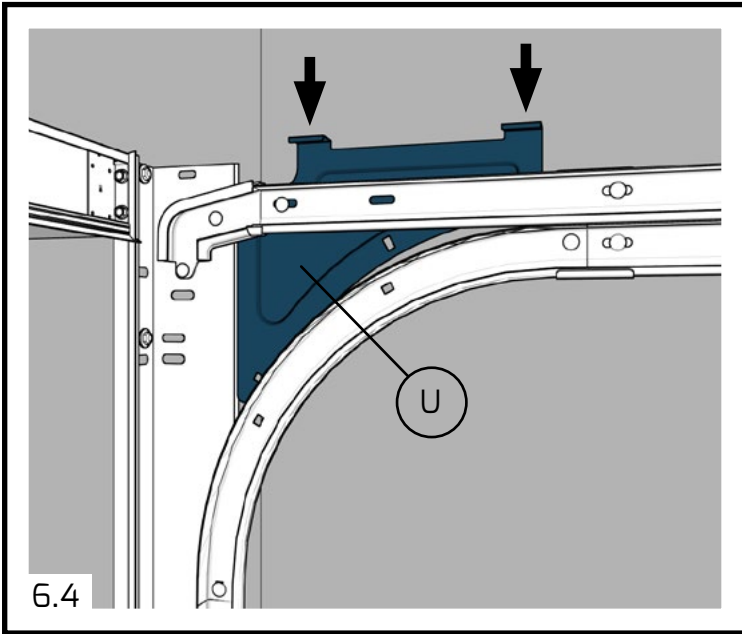
6.1



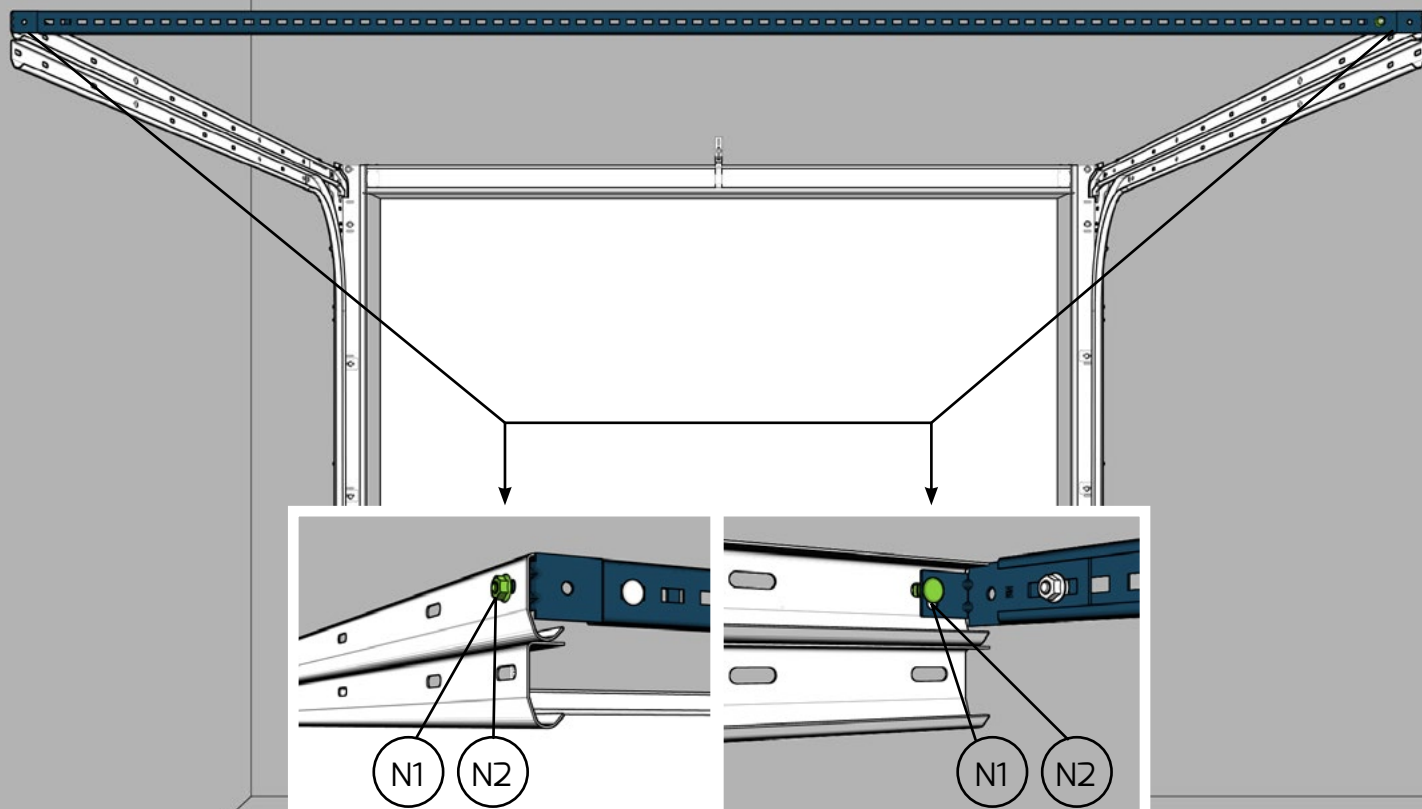
6.2



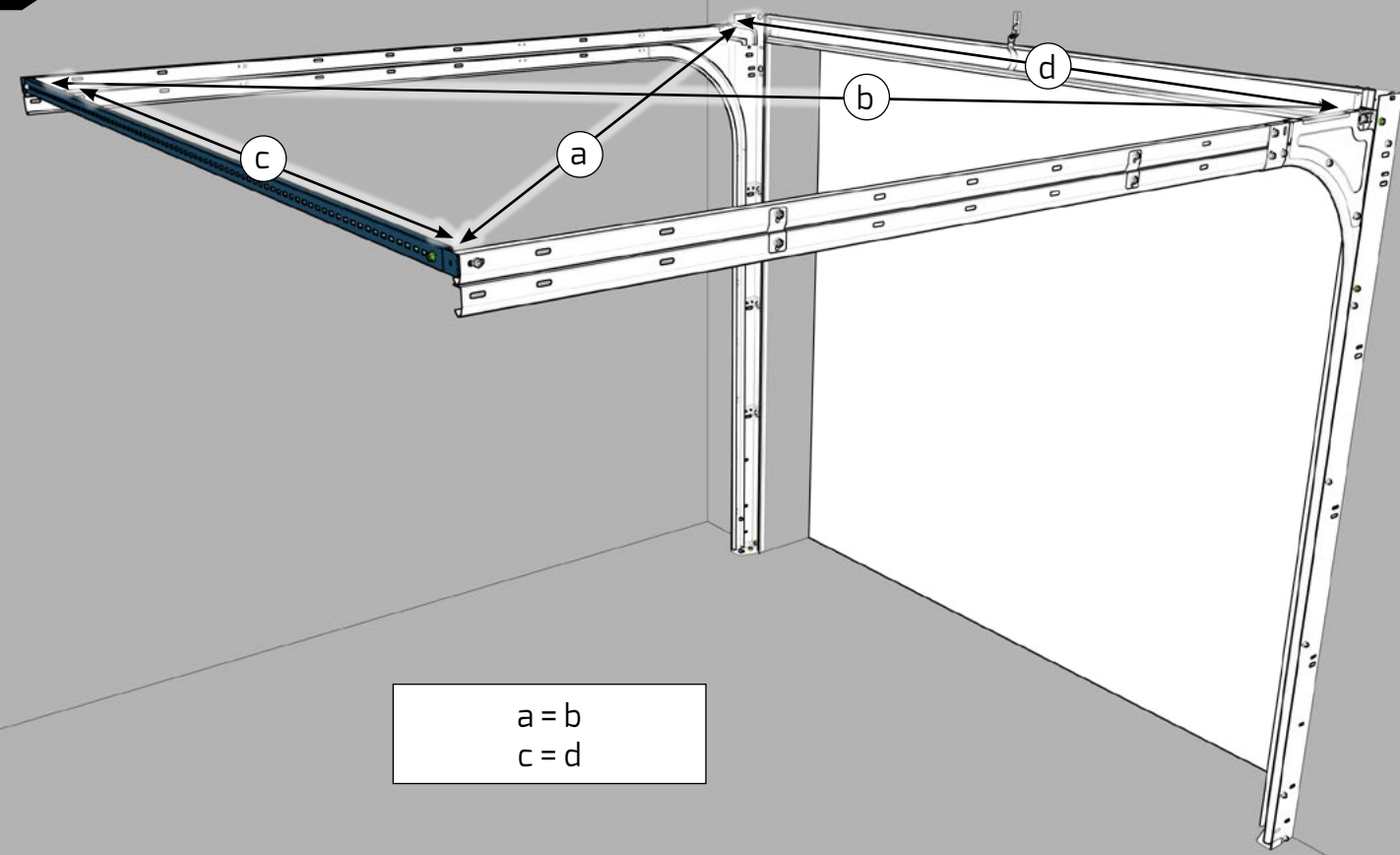
6.3



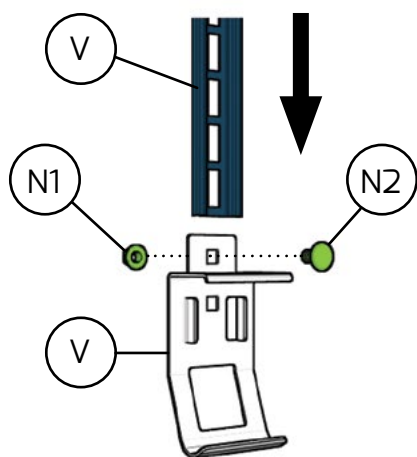
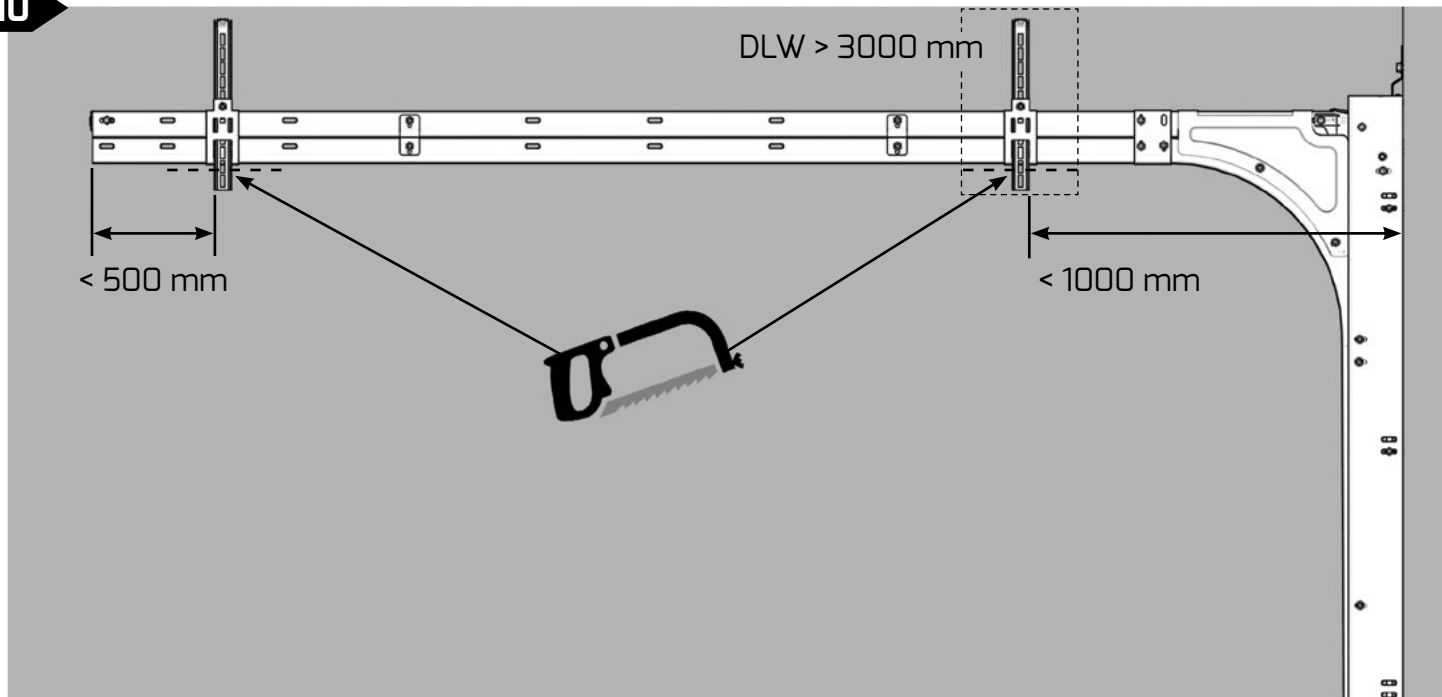
8



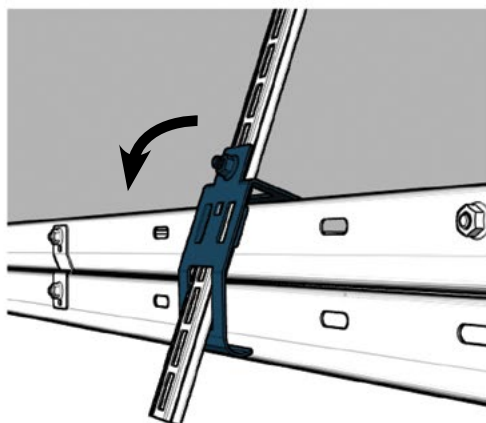
9



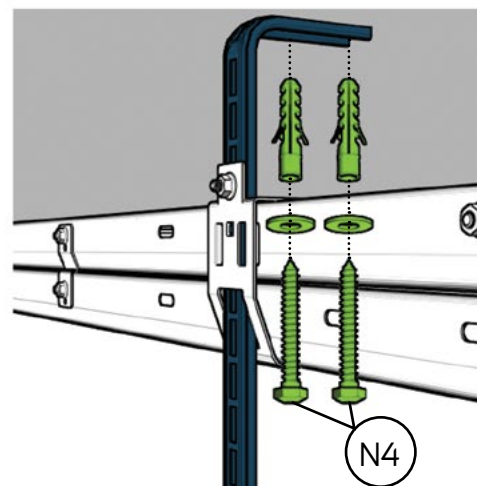
10



10.1



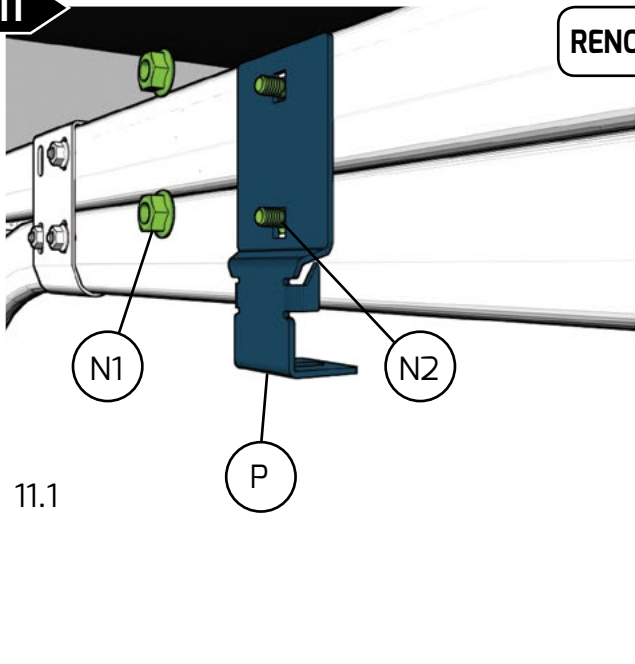
10.2



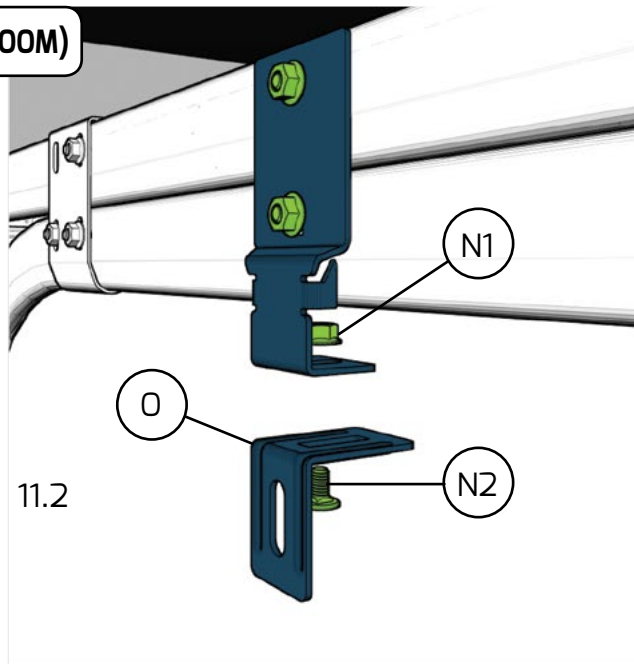
10.3

11

RENO (ZERO SIDEROOM)

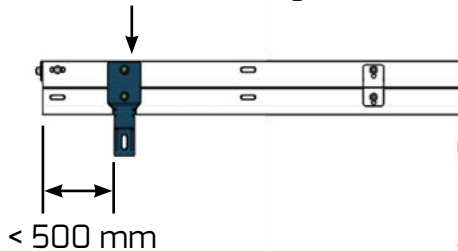


11.1



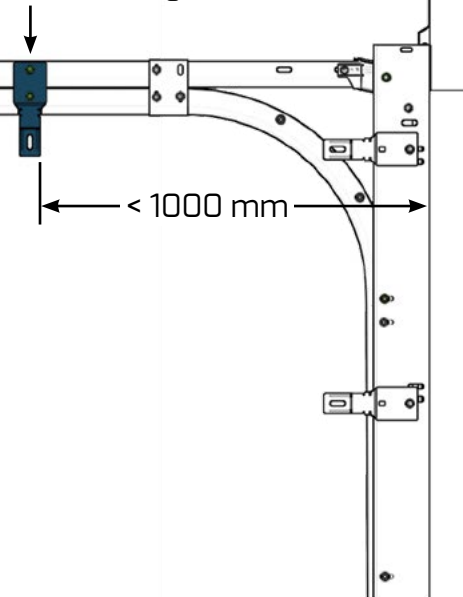
11.2

Minimum load = 100 kg

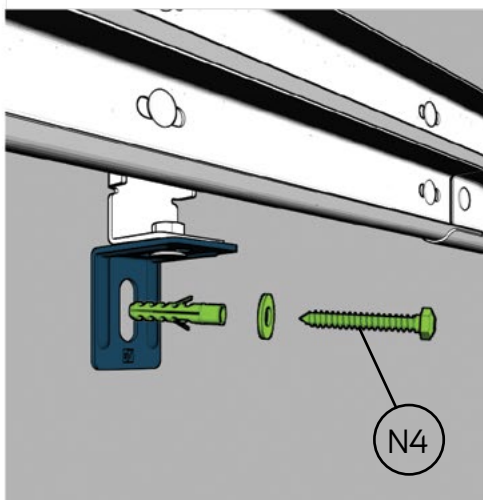


< 500 mm

Minimum load = 100 kg



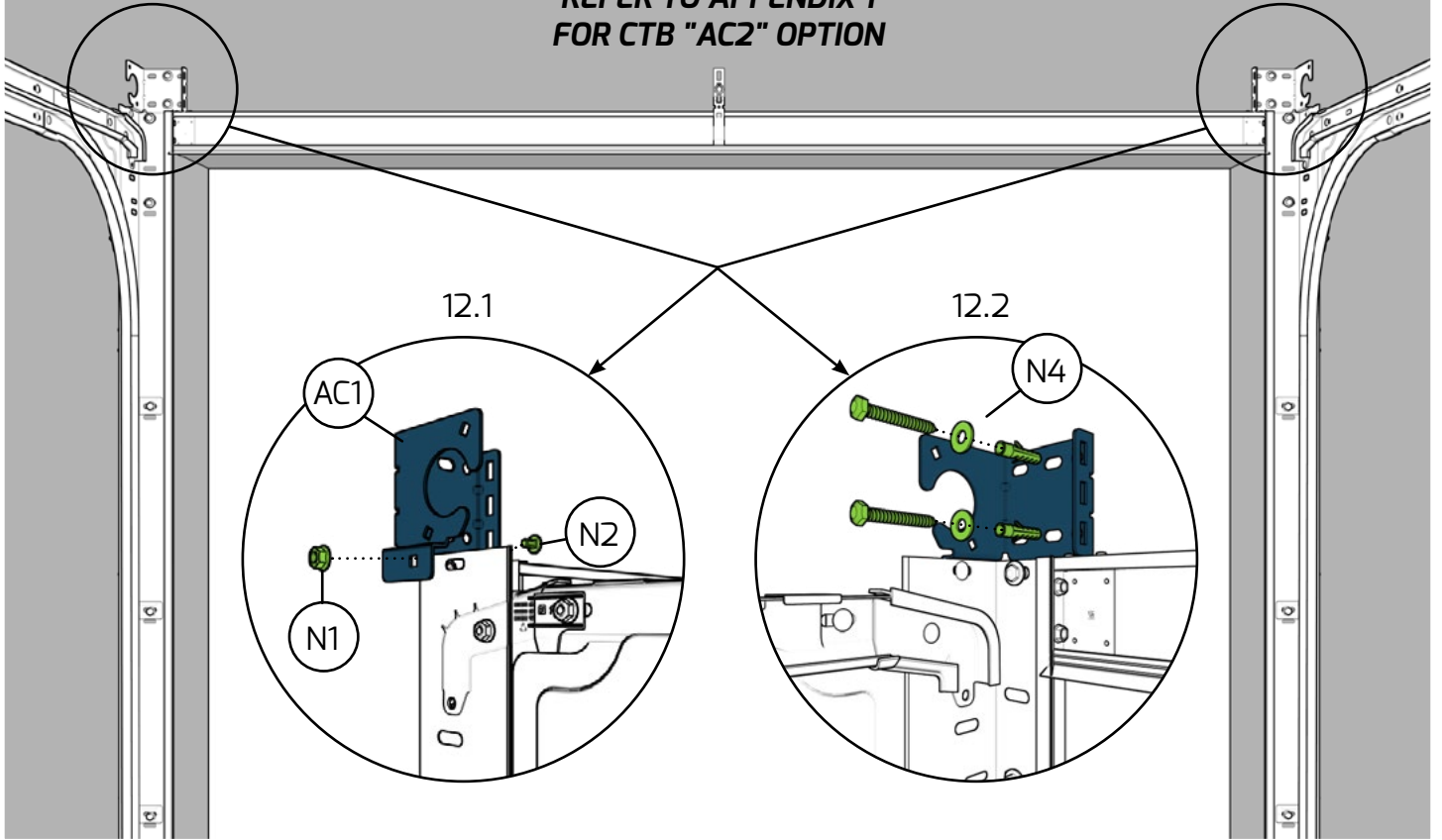
< 1000 mm



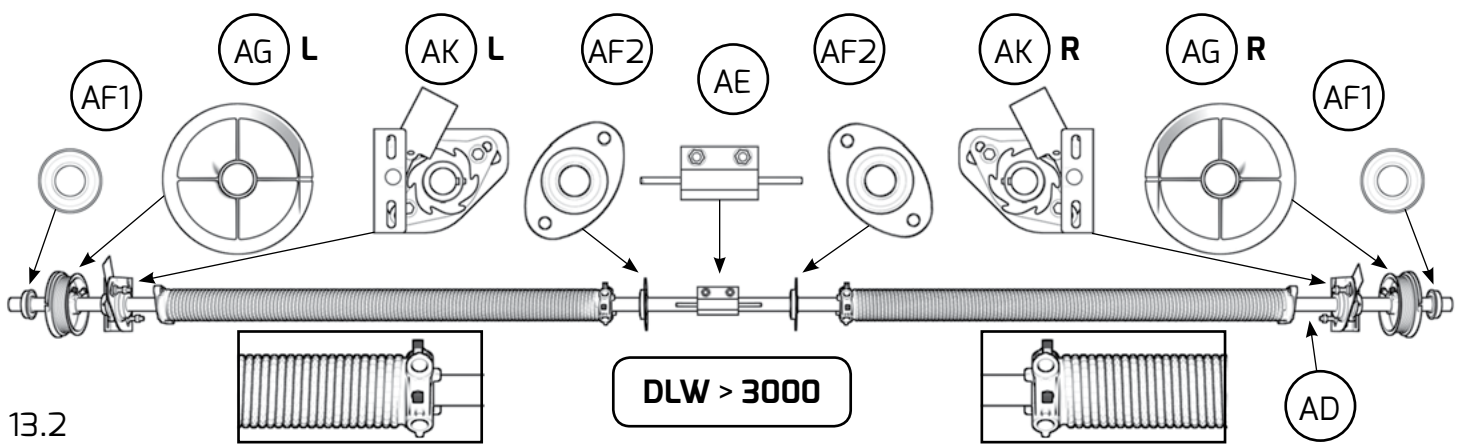
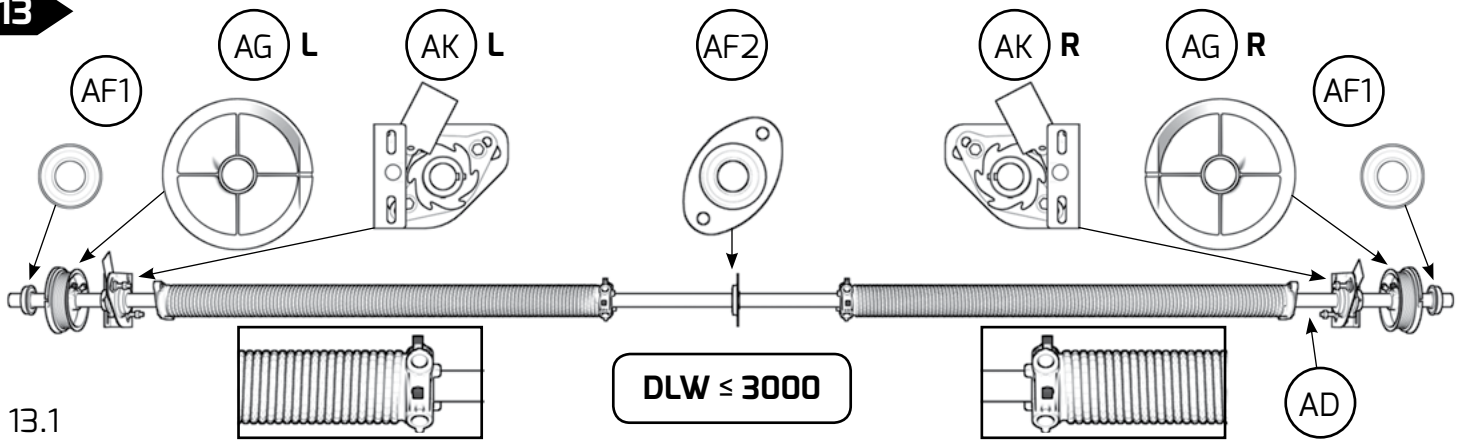
11.3

12

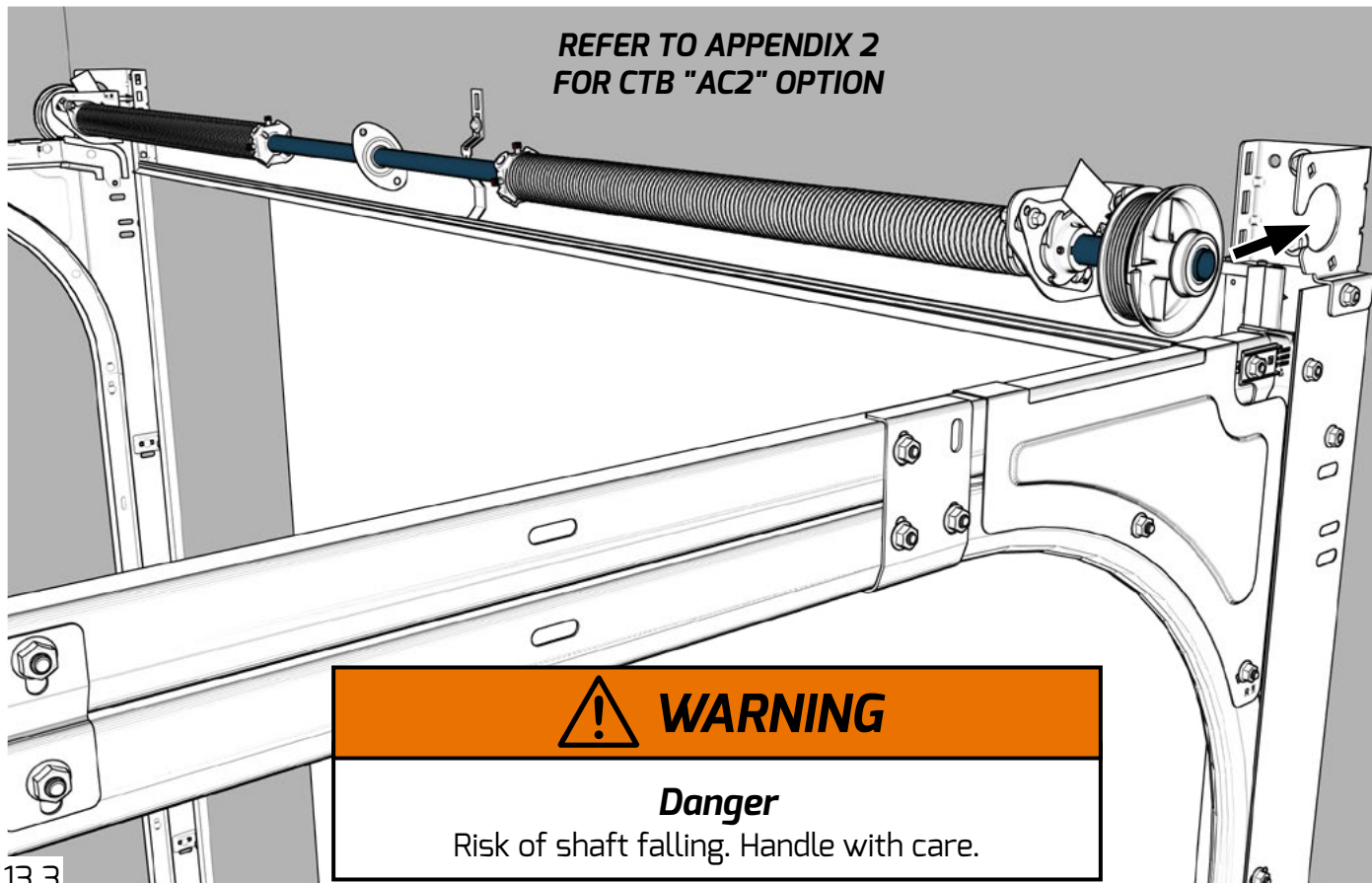
REFER TO APPENDIX 1  
FOR CTB "AC2" OPTION



13

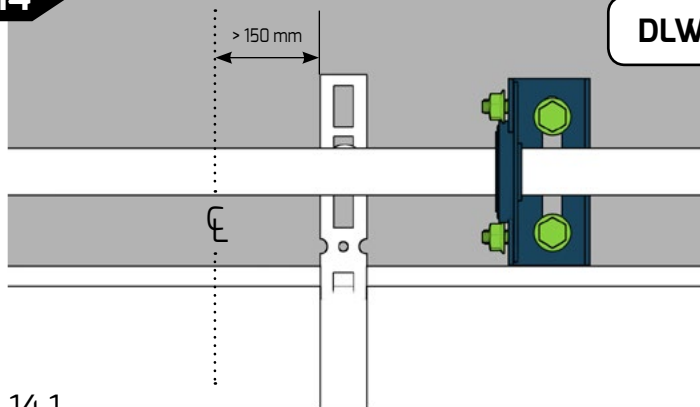


**REFER TO APPENDIX 2  
FOR CTB "AC2" OPTION**

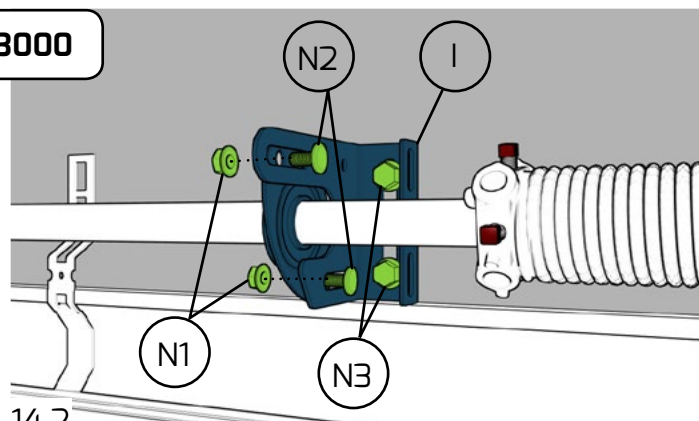


13.3

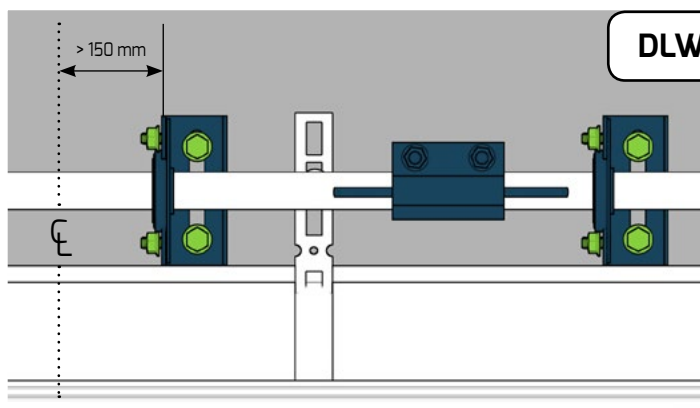
**14**



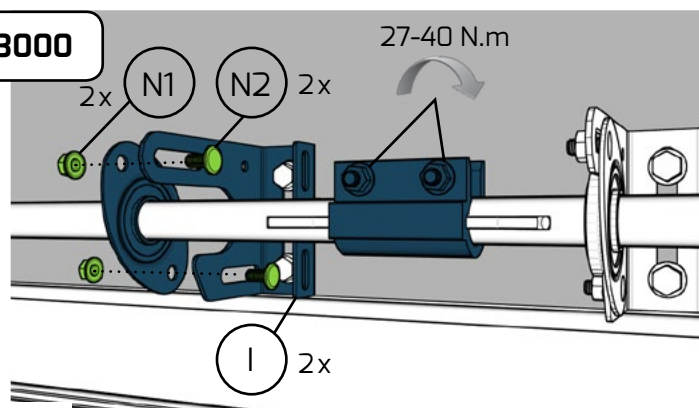
14.1



14.2

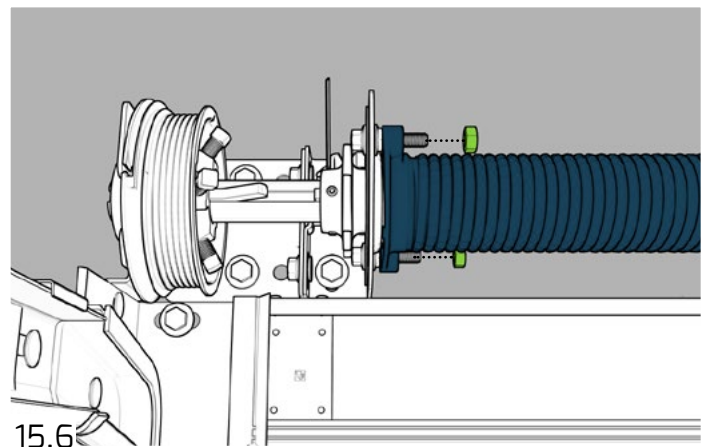
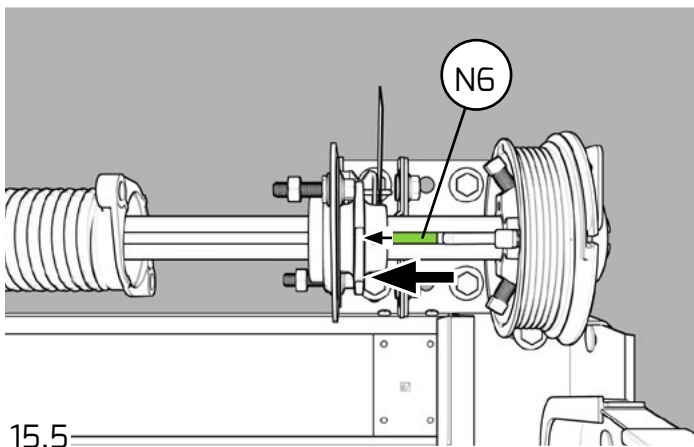
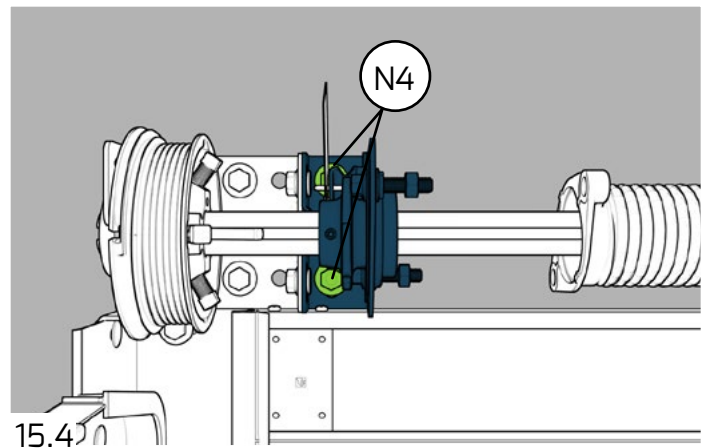
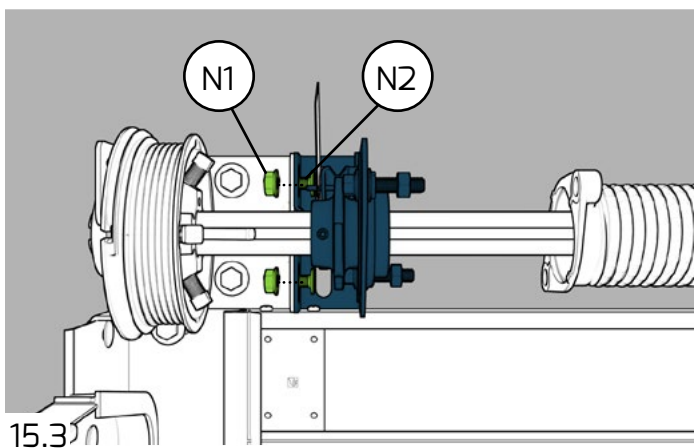
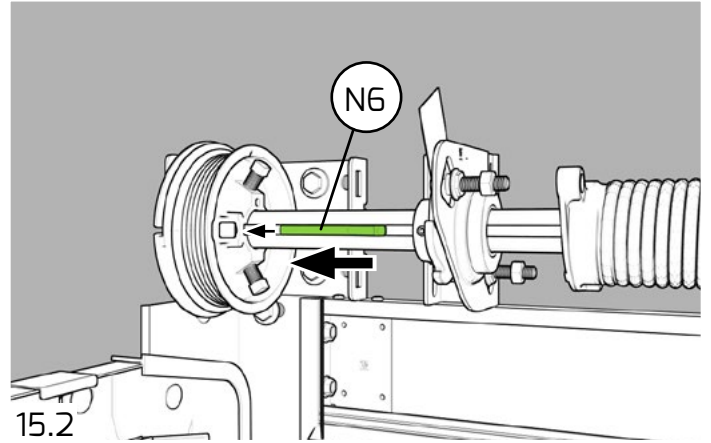
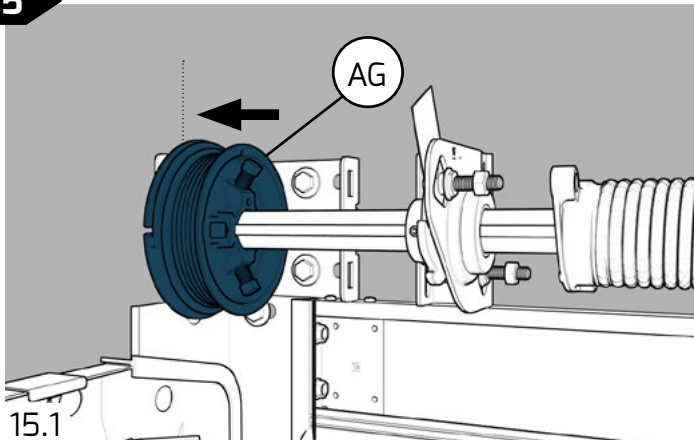


14.3



14.4

15

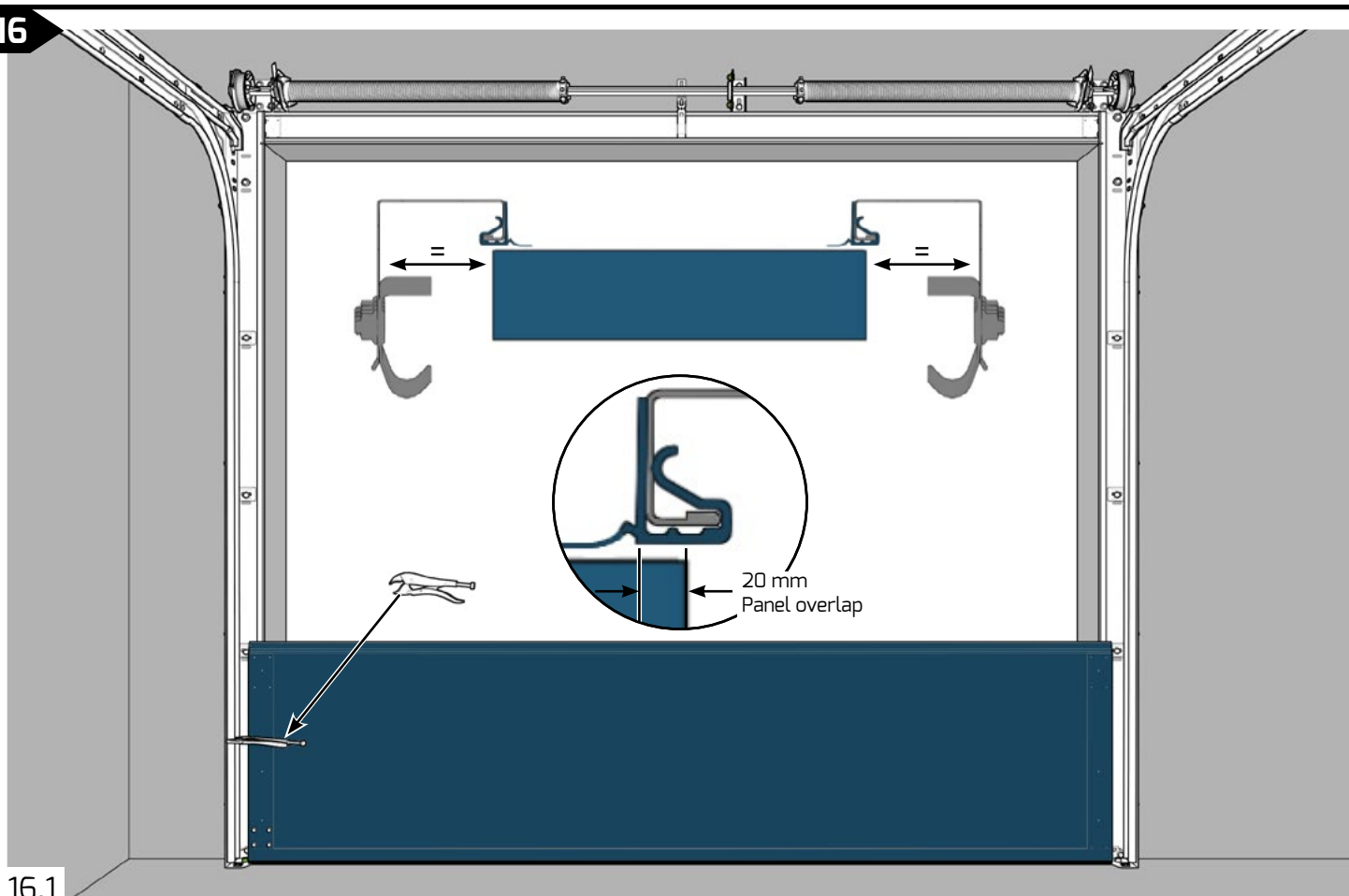


**REFER TO DT0155  
FOR COMPLETE INSTALLATION PROCESS  
OF SPRING BREAK DEVICE**

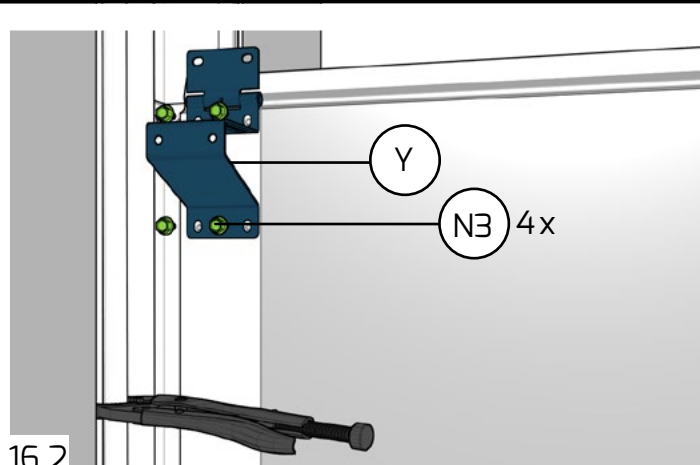




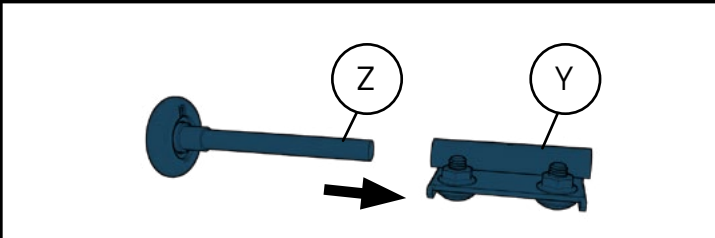
16



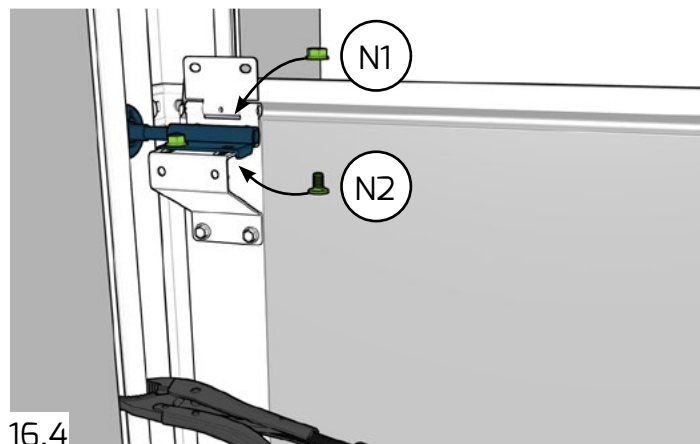
16.1



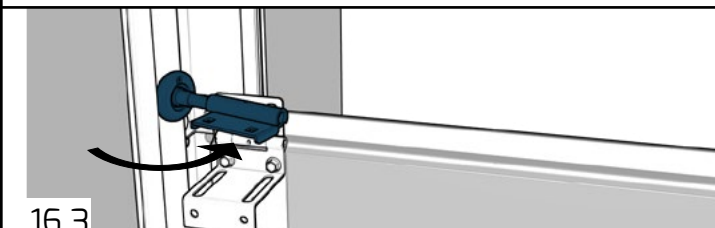
16.2



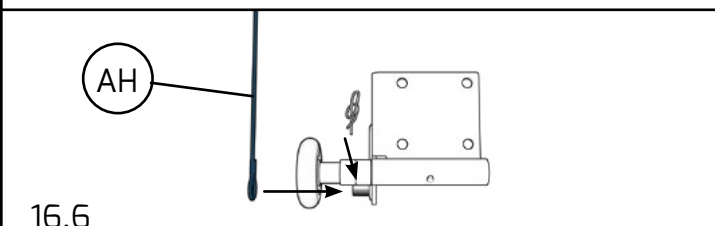
16.3



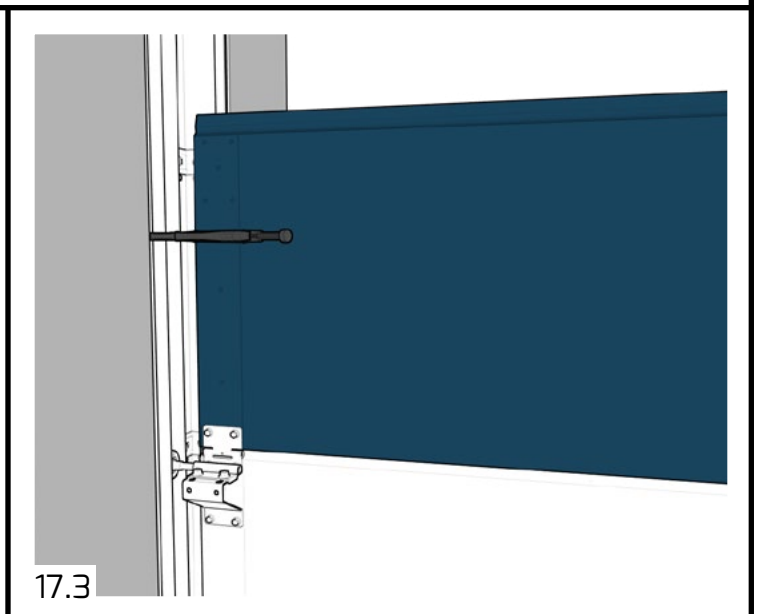
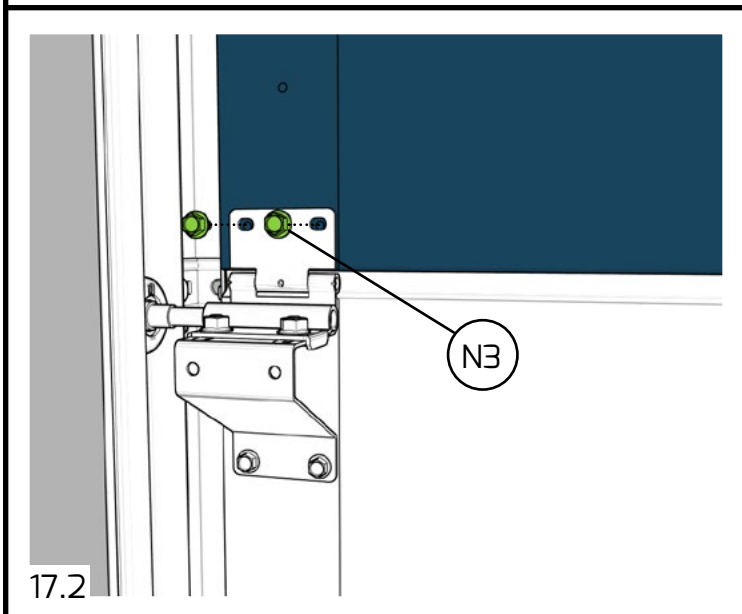
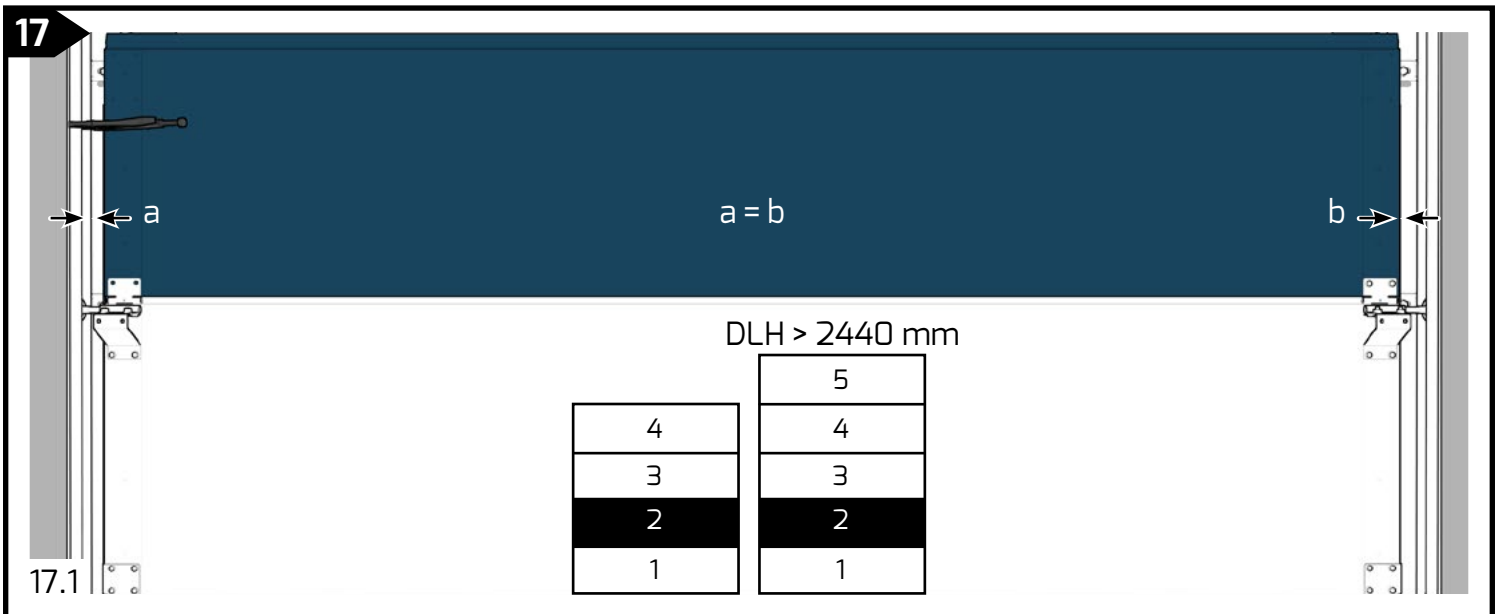
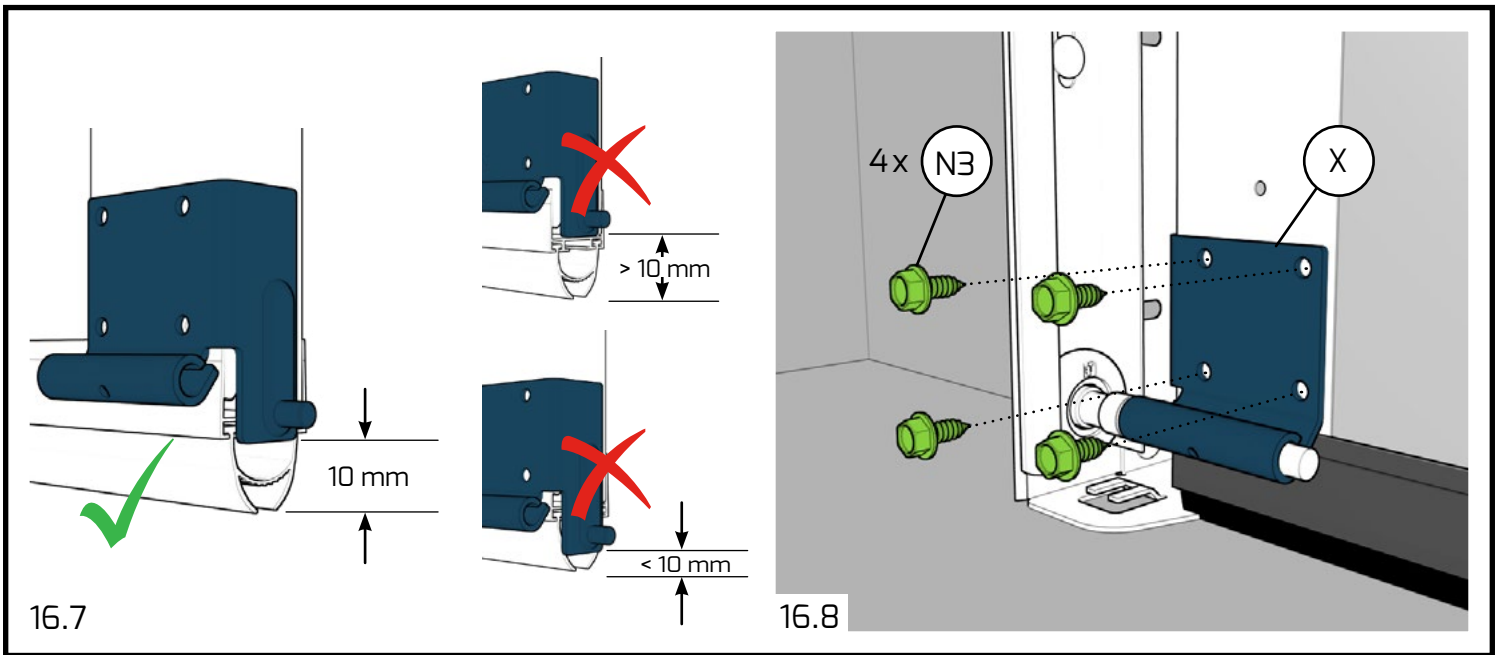
16.4

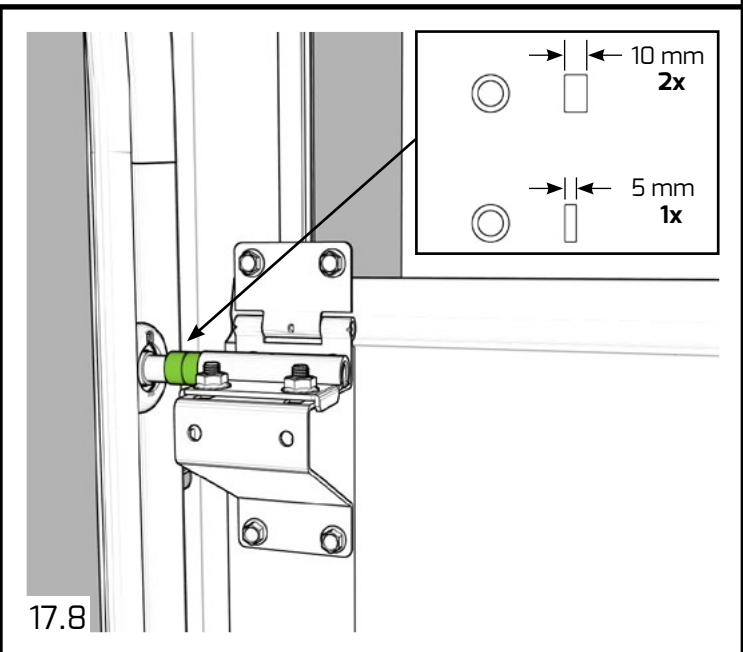
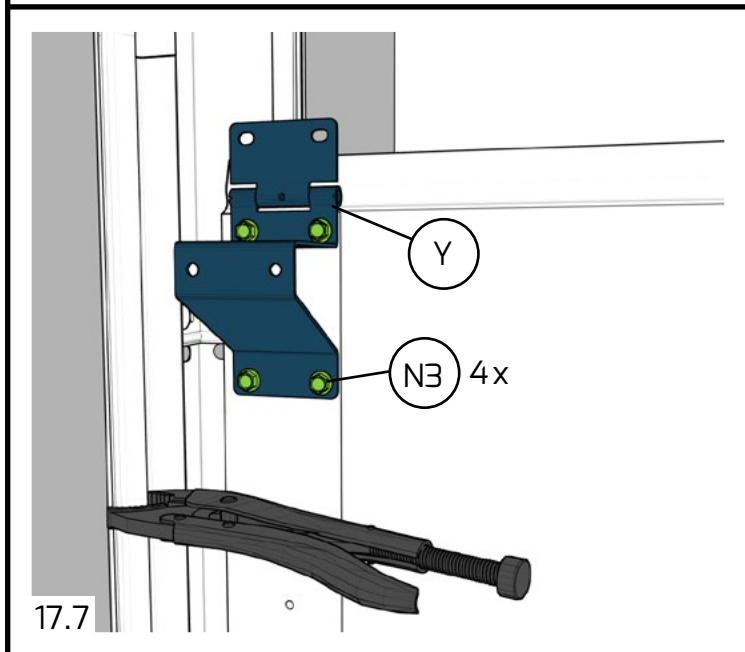
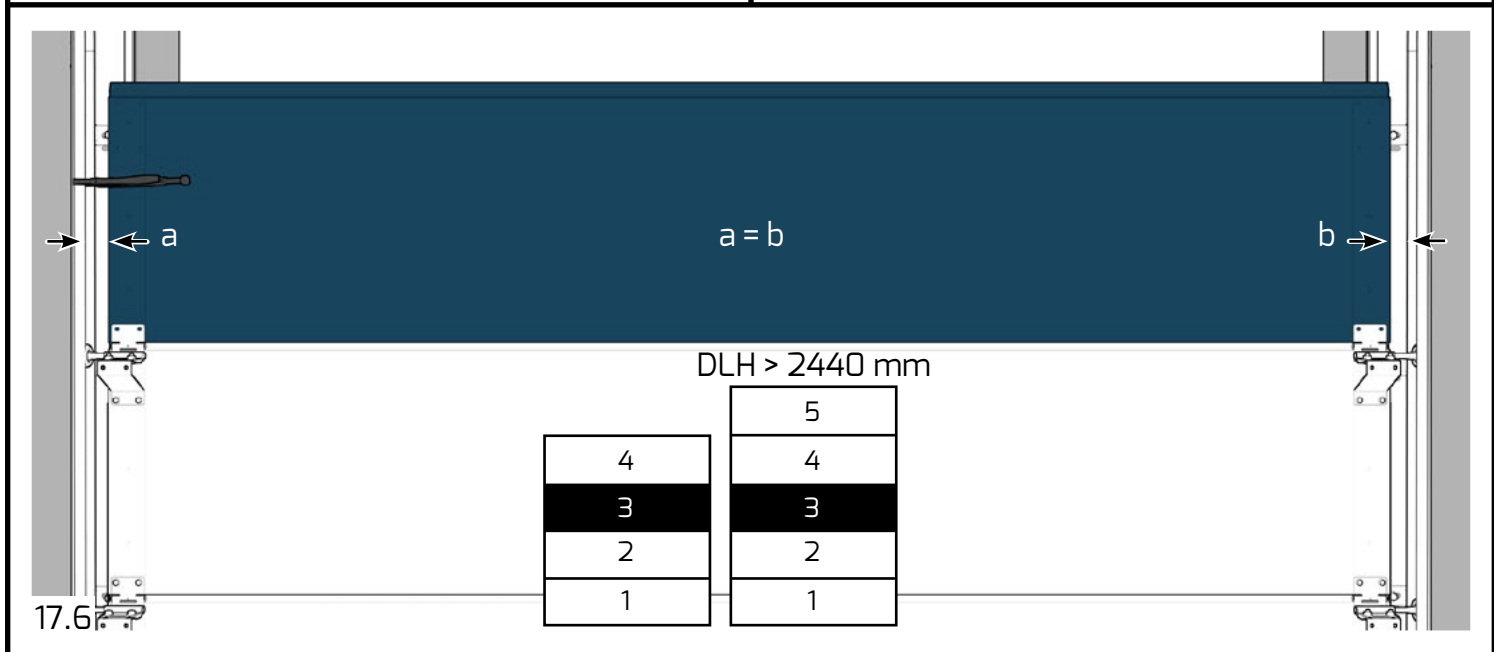
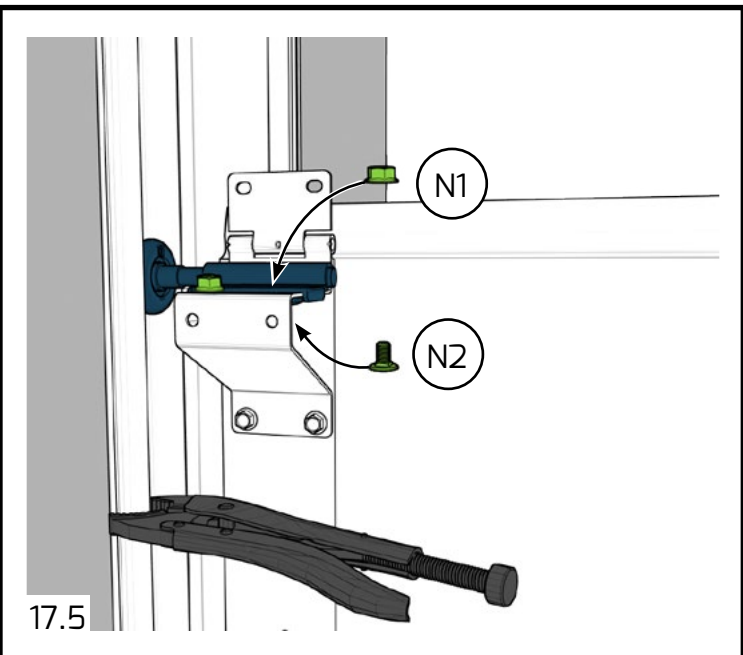
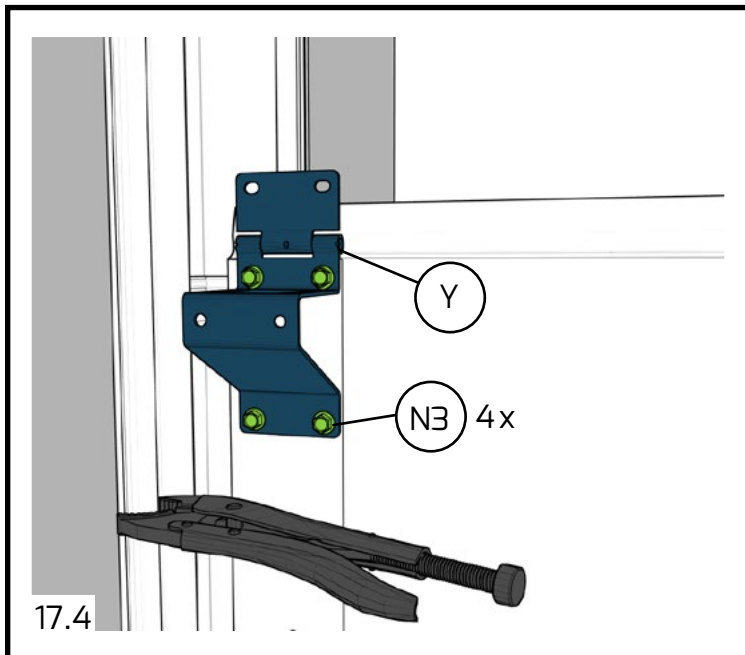


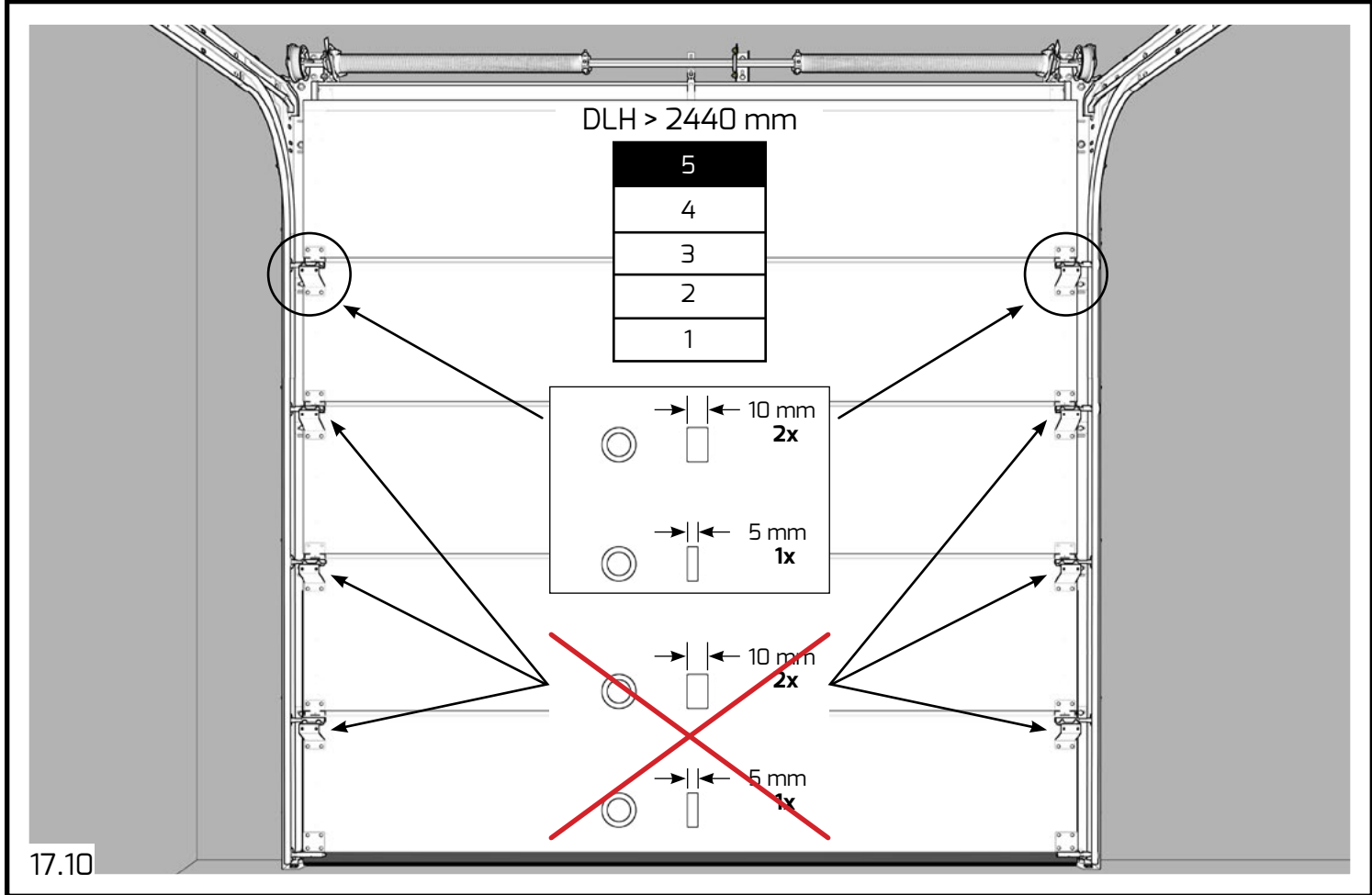
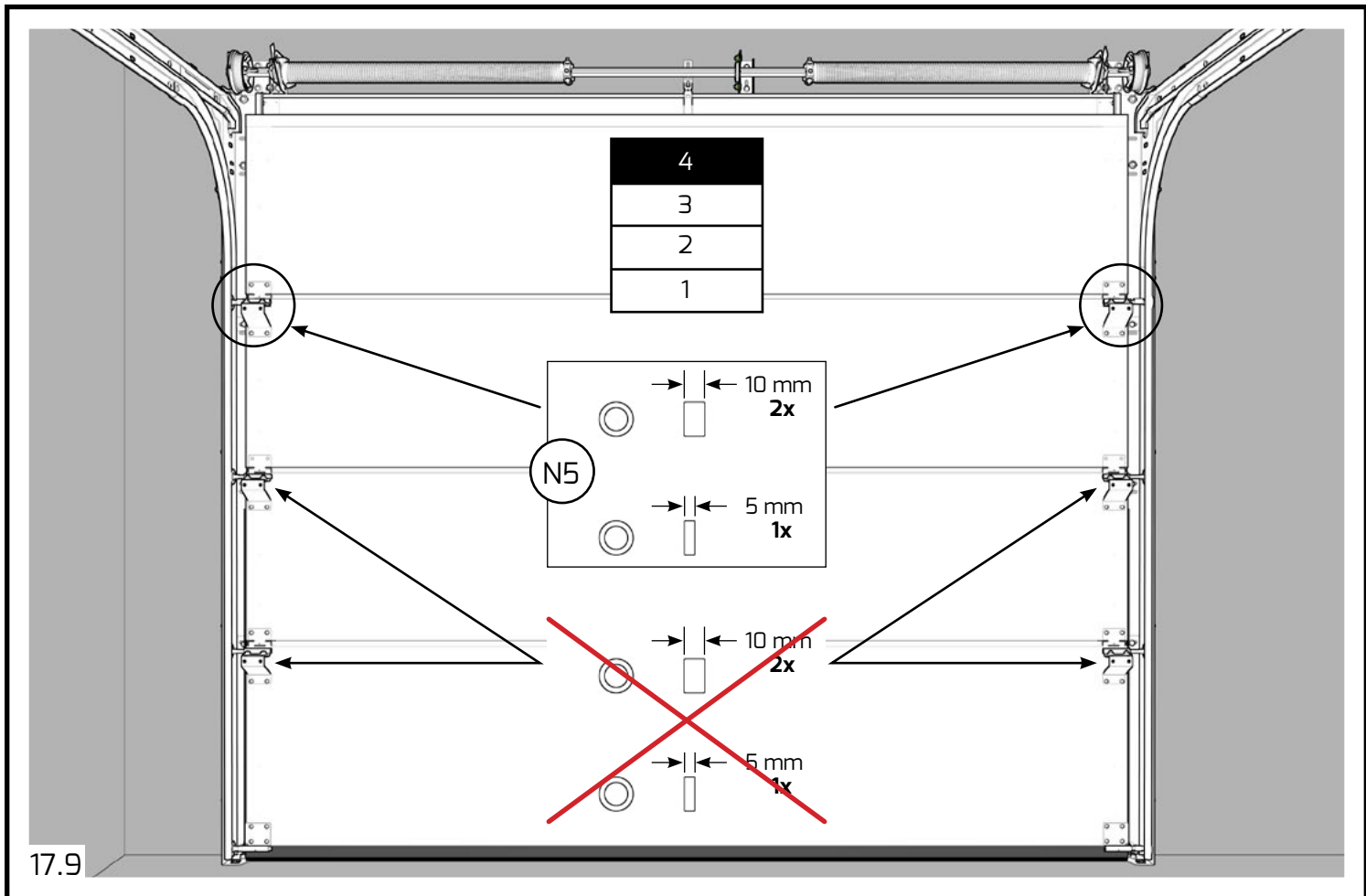
16.5



16.6

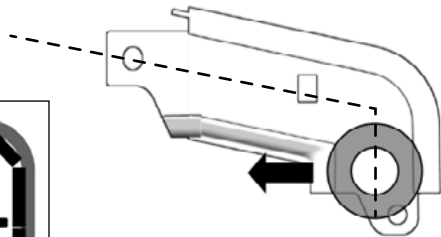




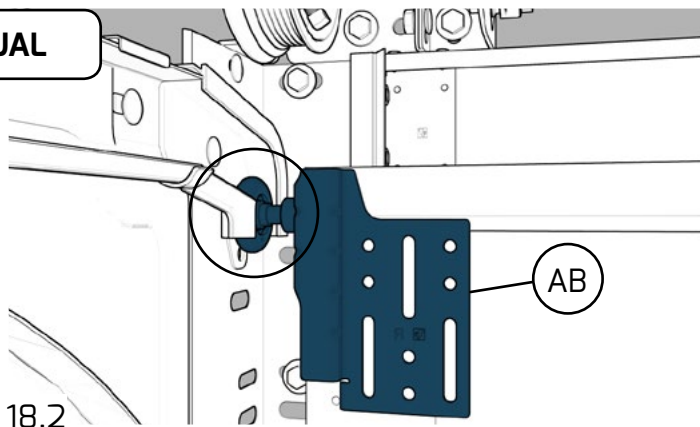


18a

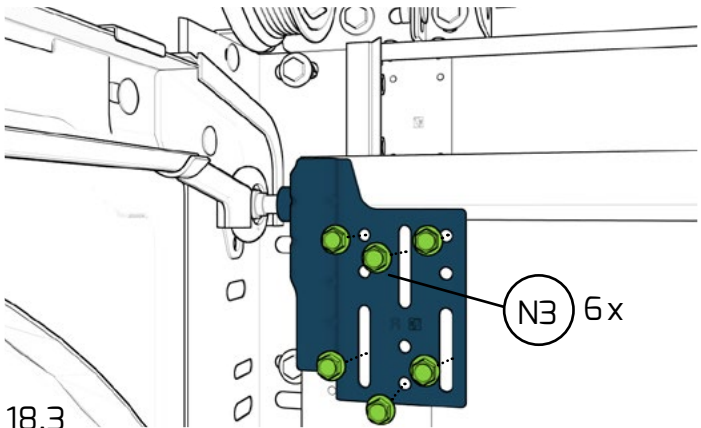
MANUAL



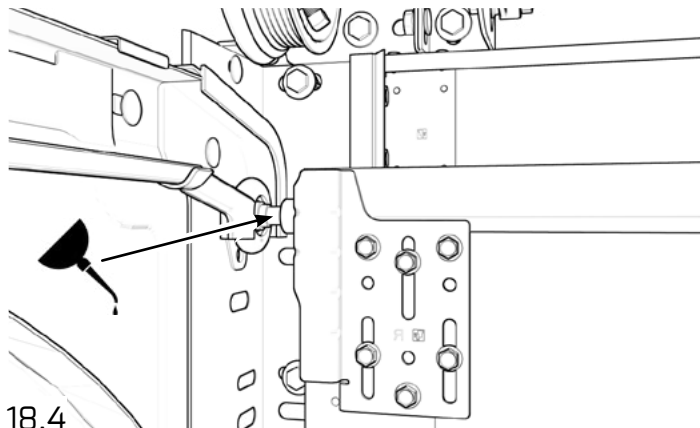
18.1



18.2



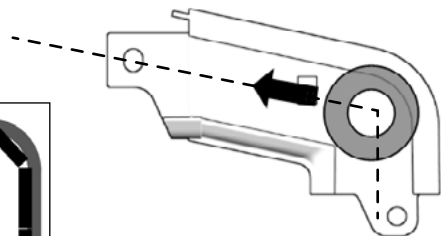
18.3



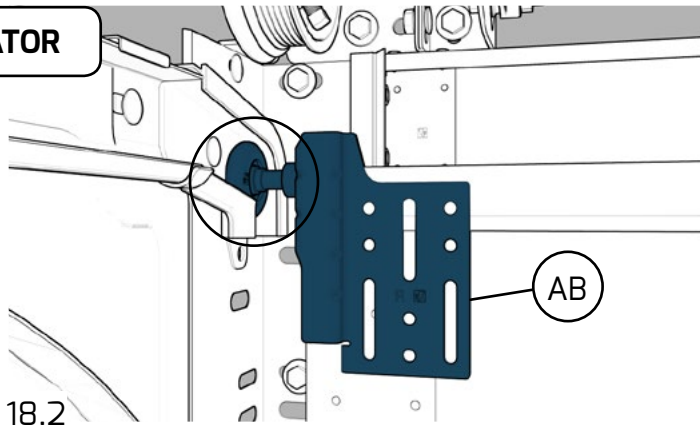
18.4

18b

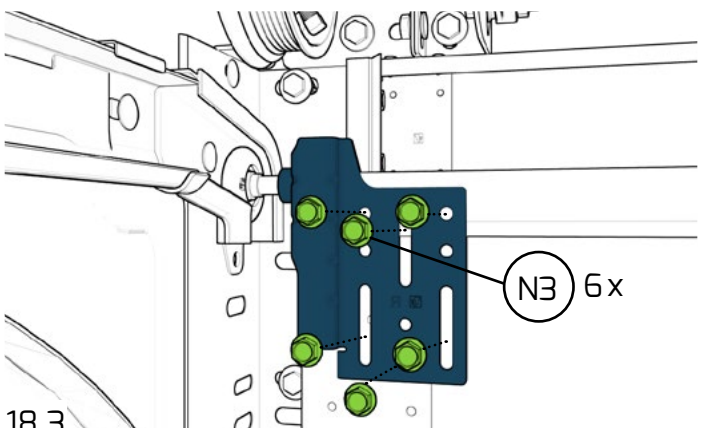
OPERATOR



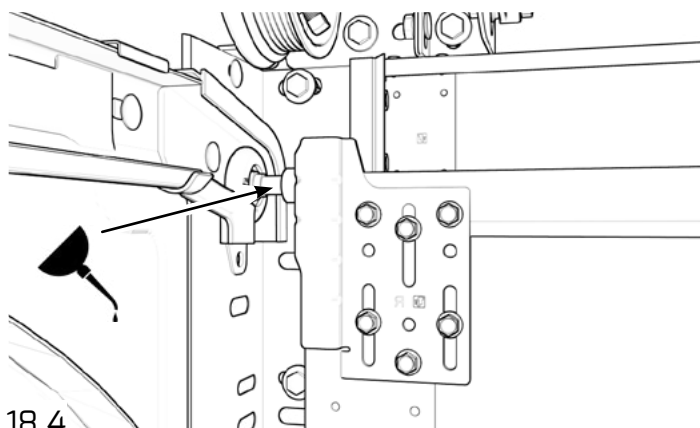
18.1



18.2

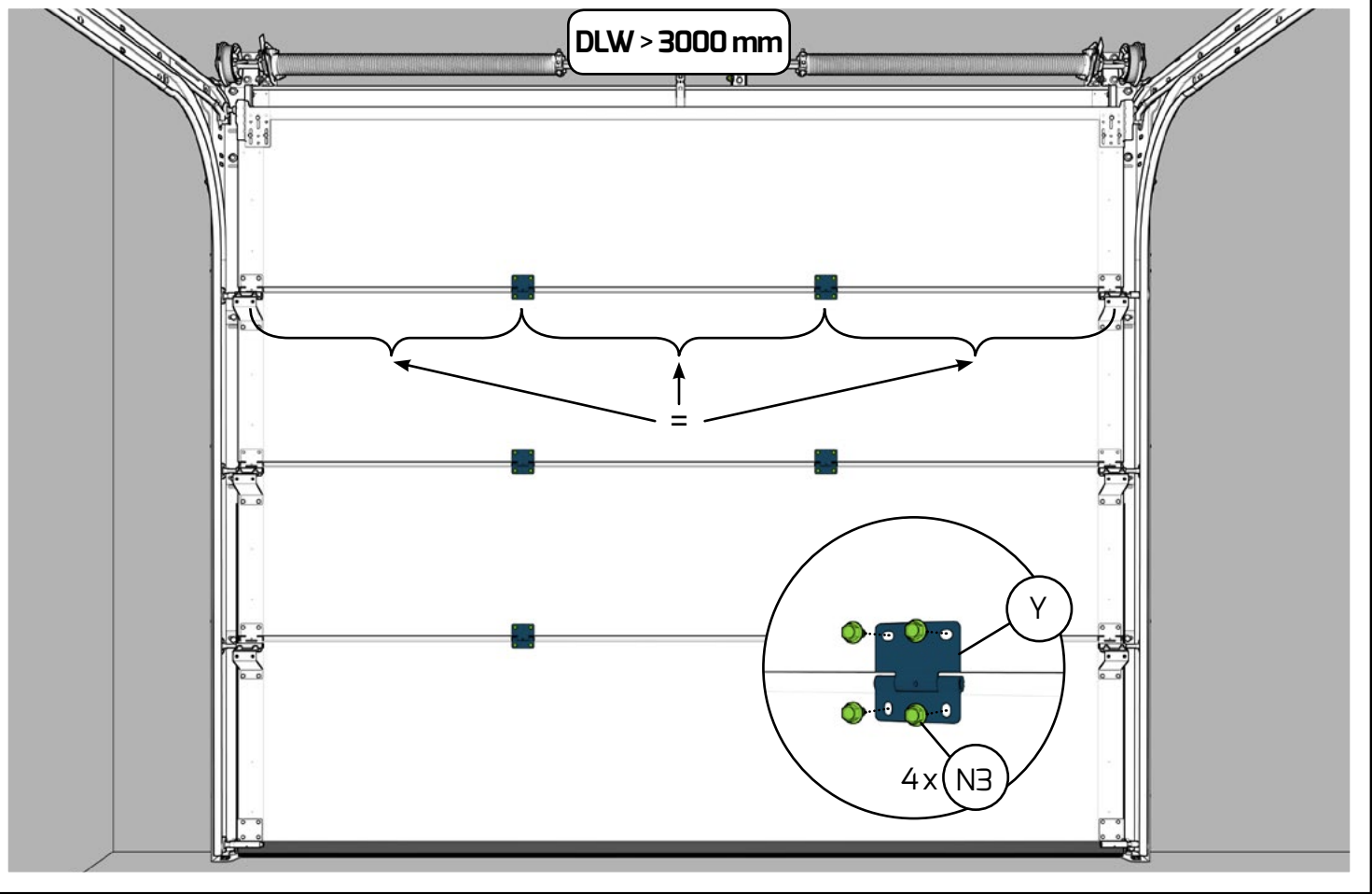
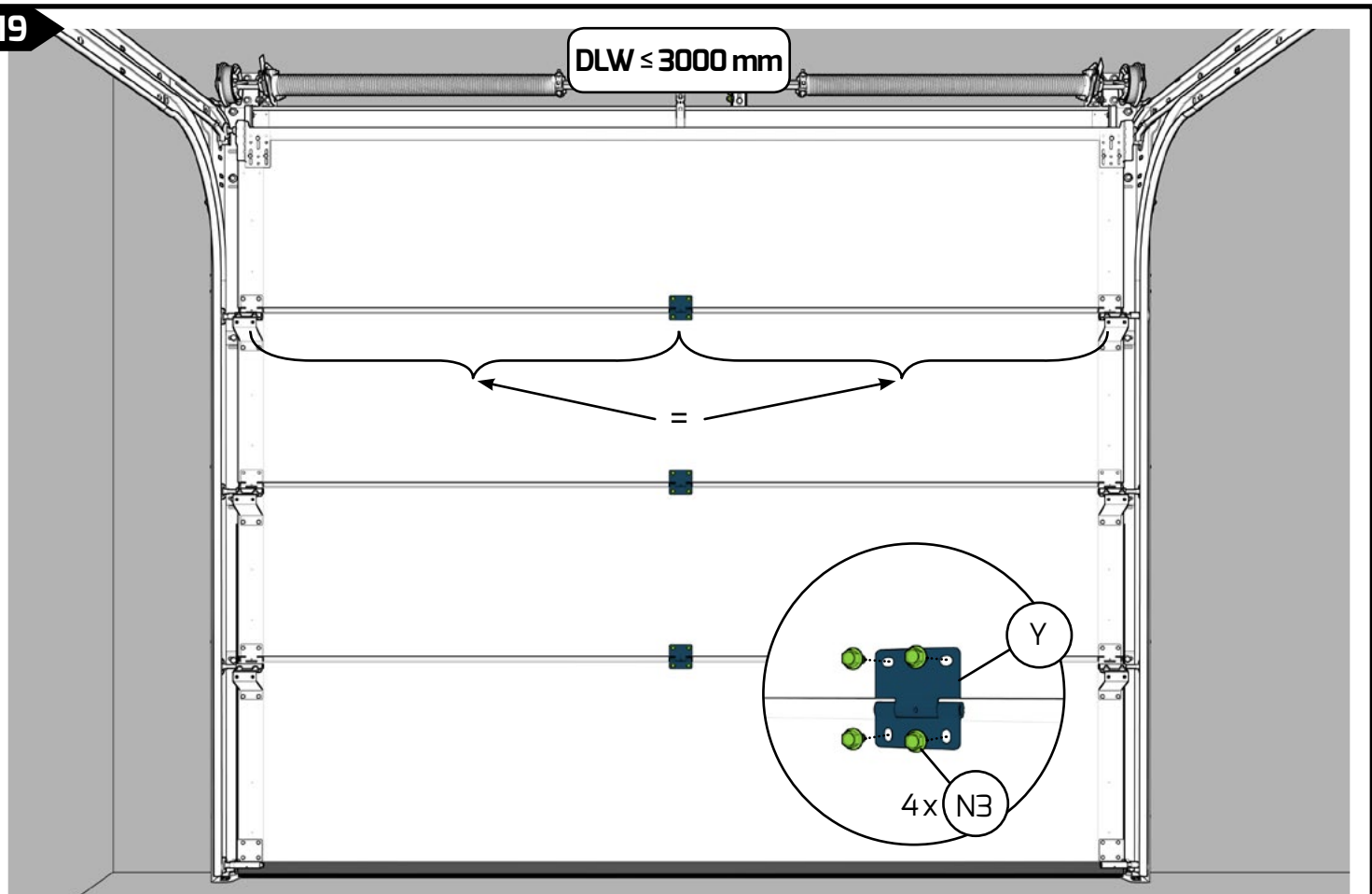


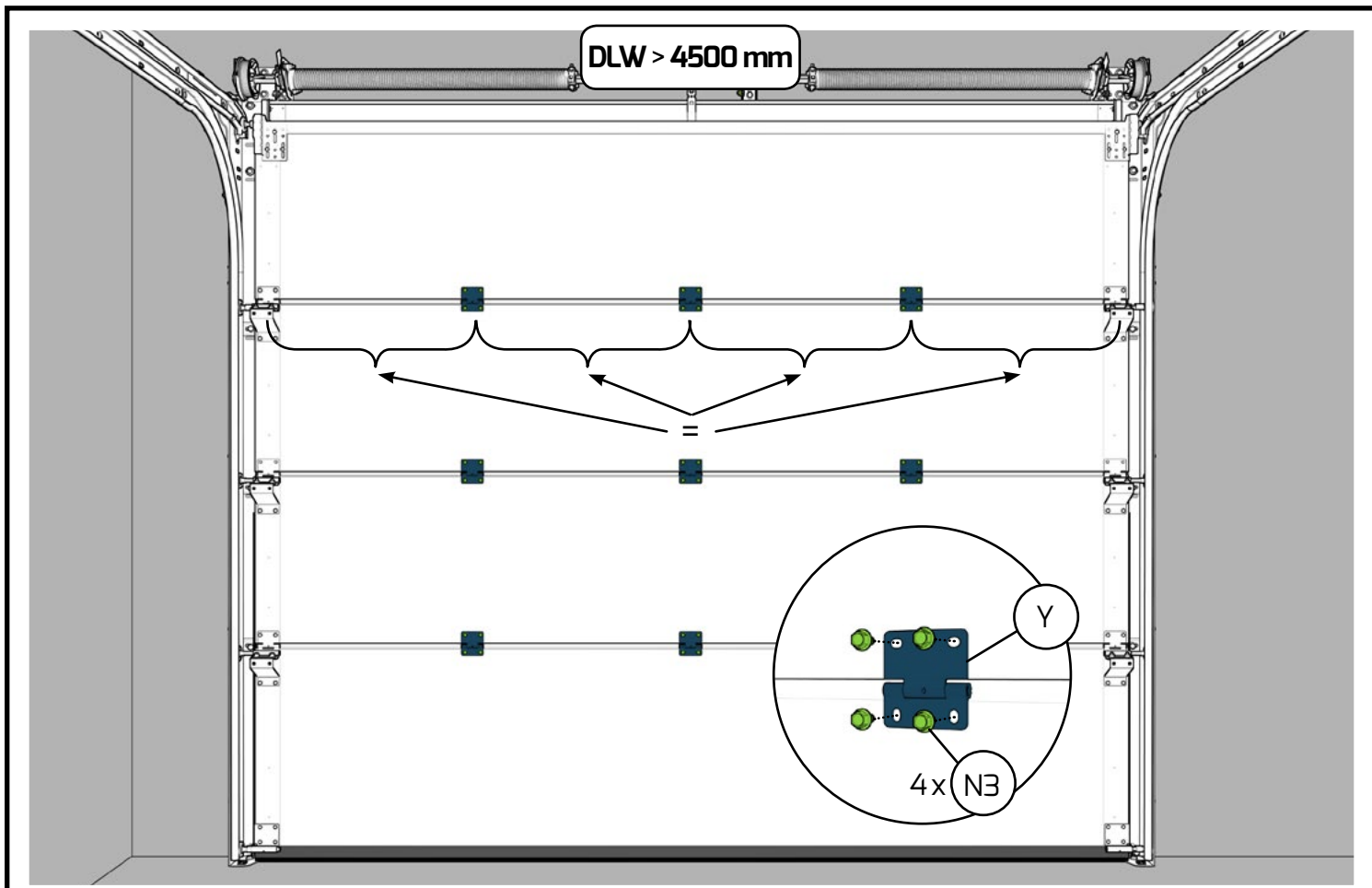
18.3



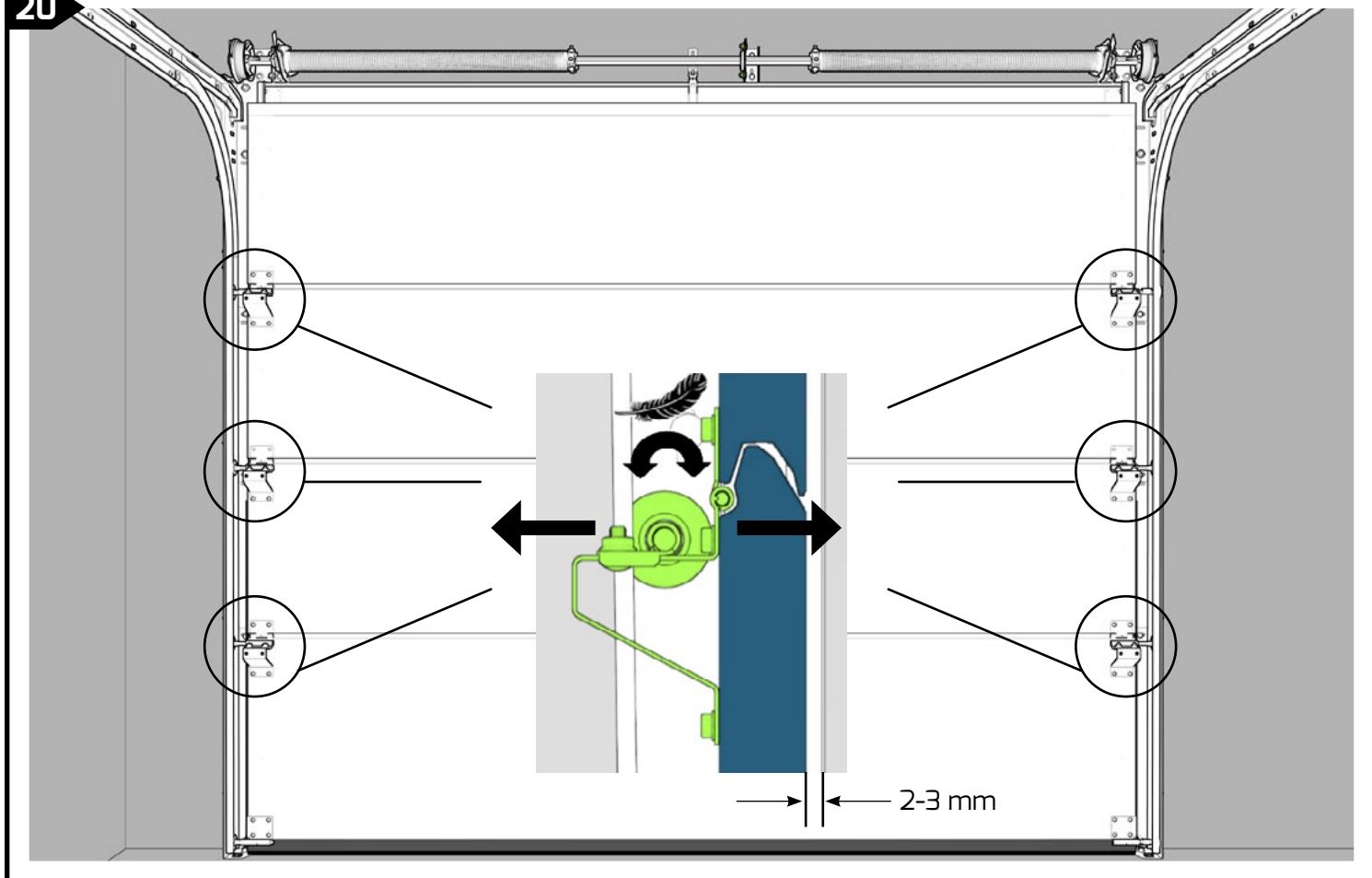
18.4

19

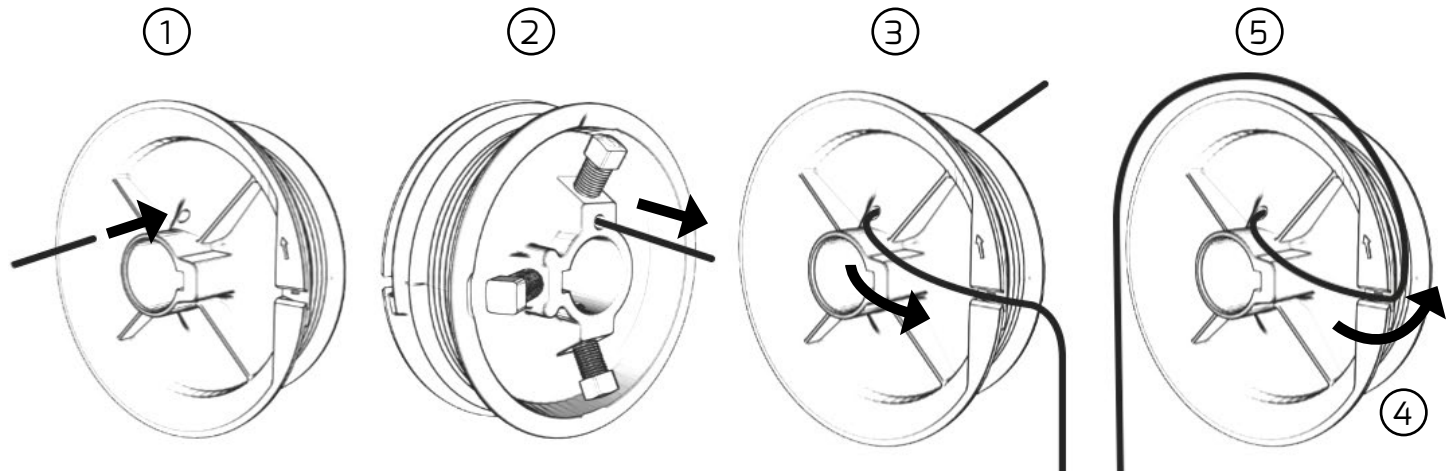
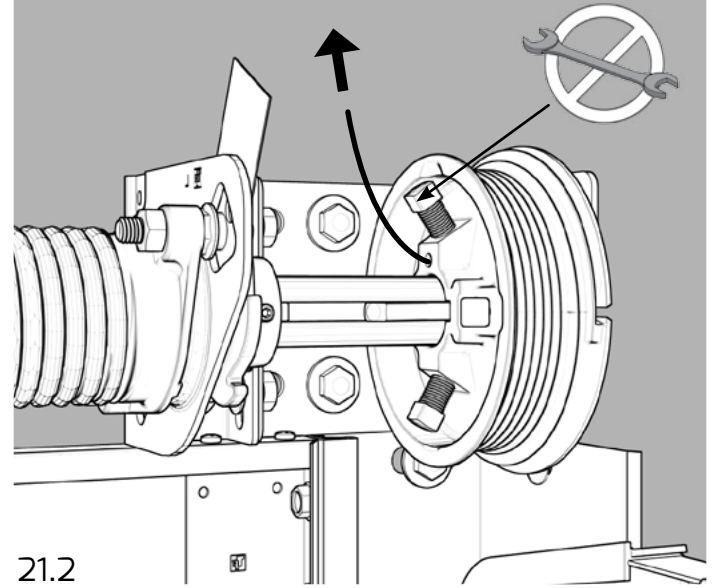
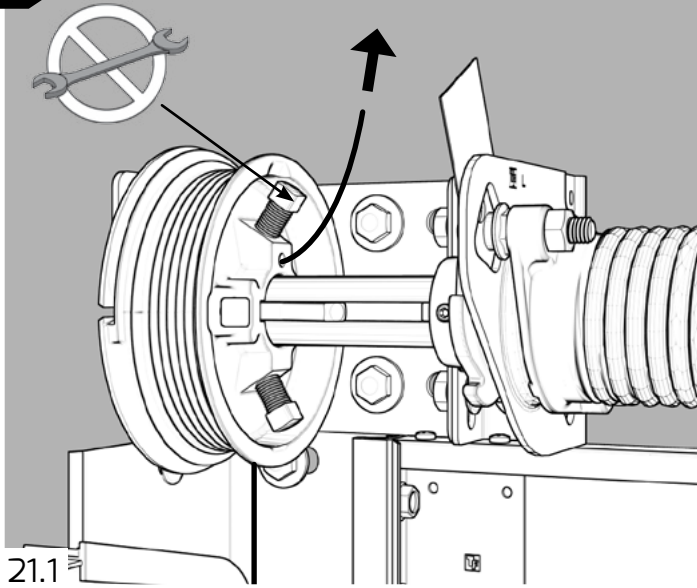




20

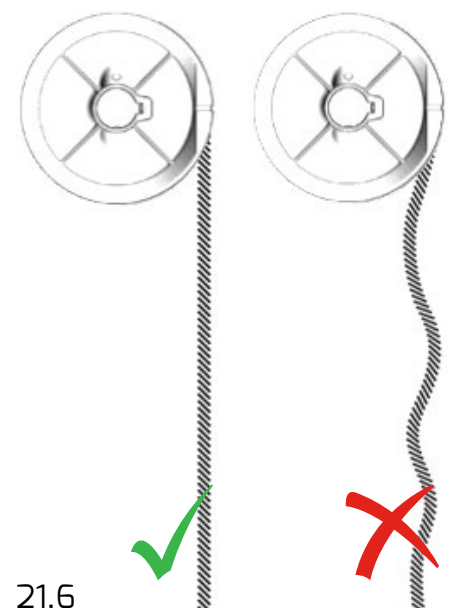
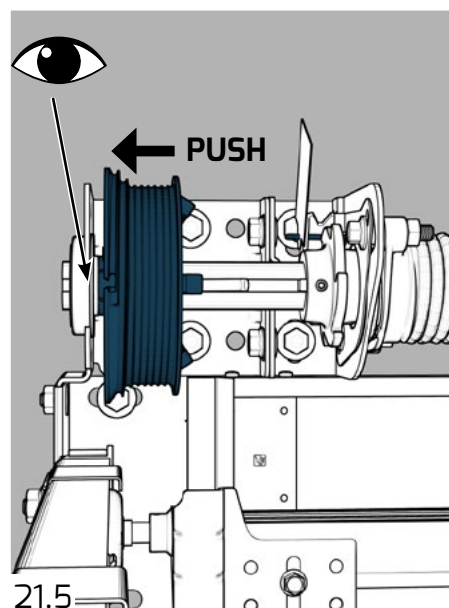
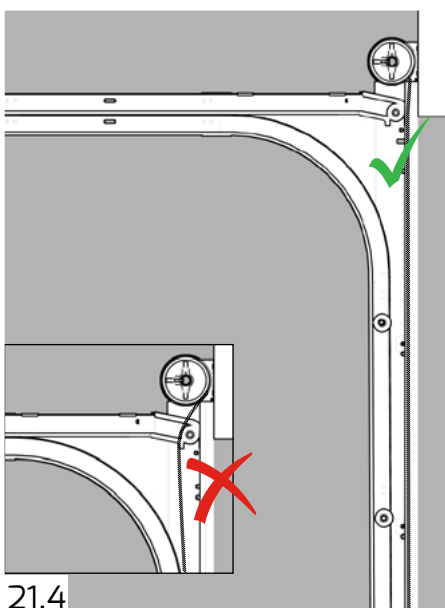


21

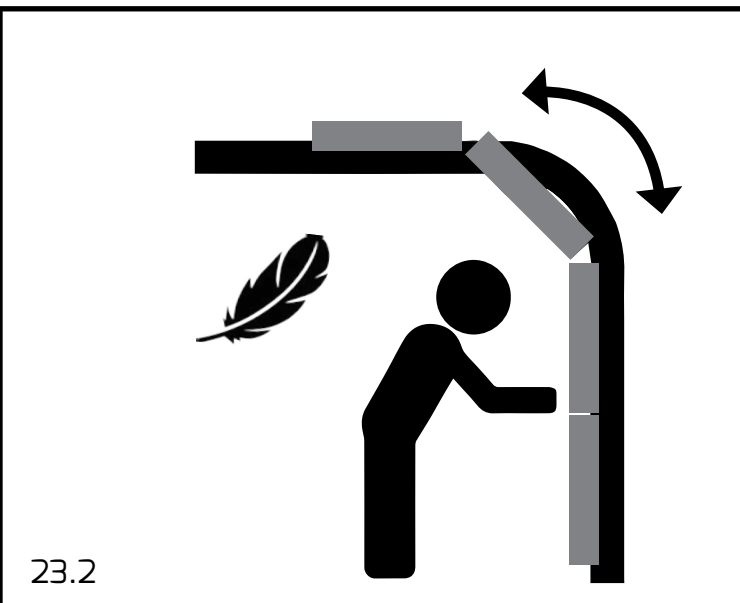
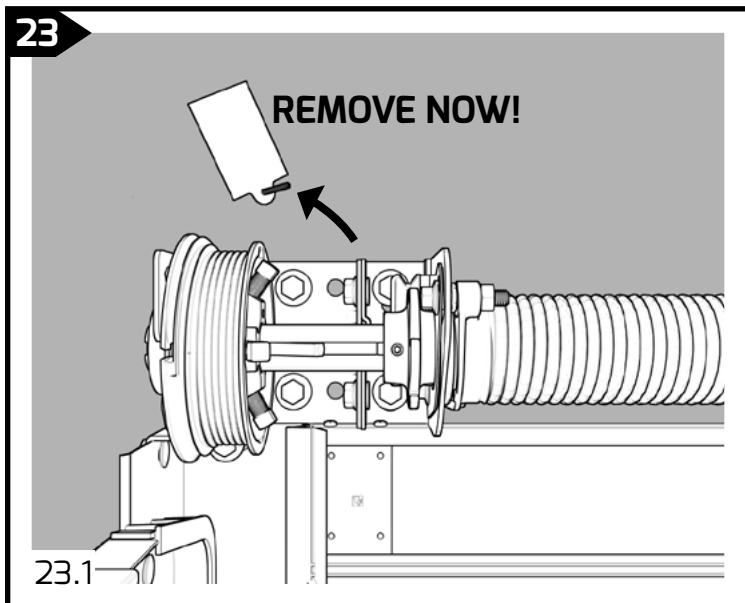
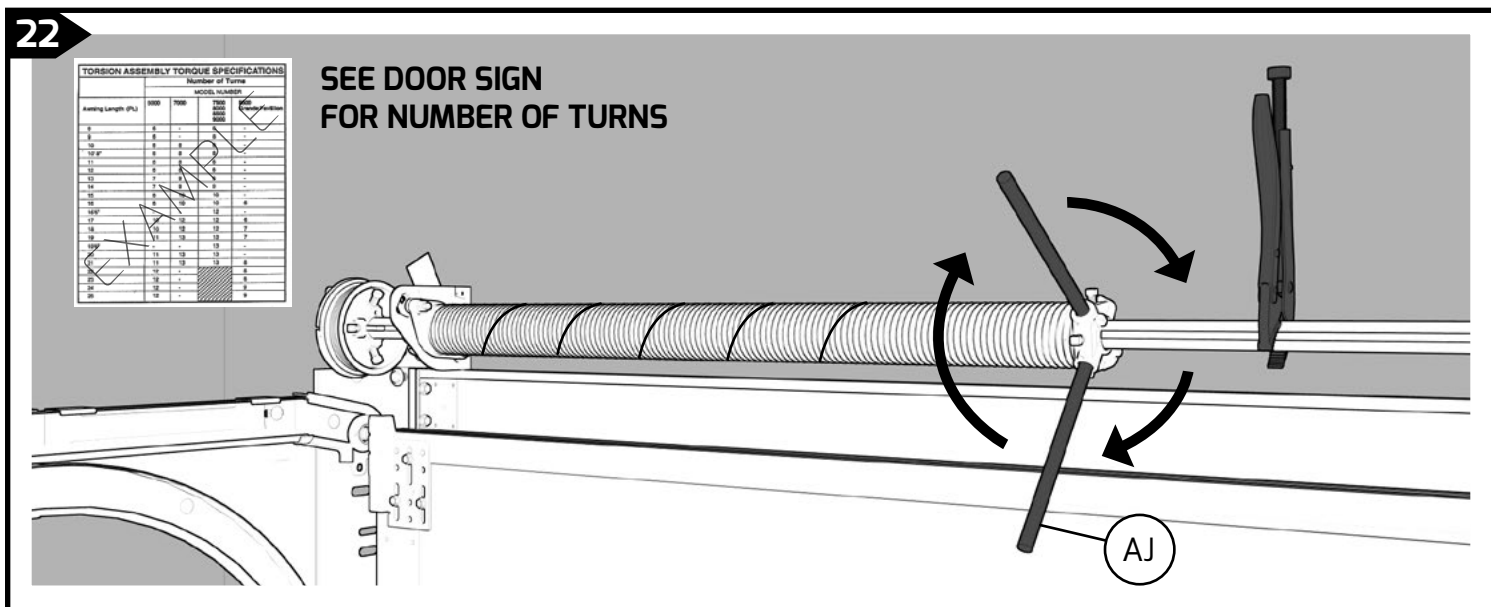
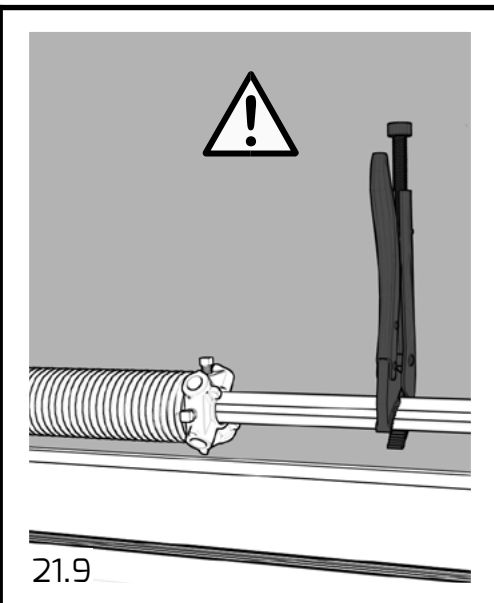
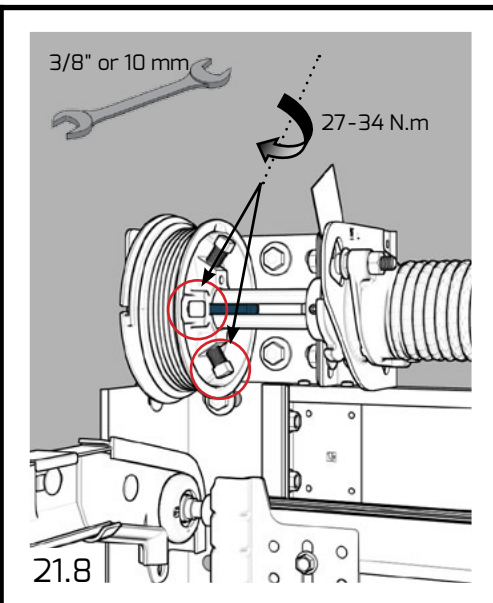
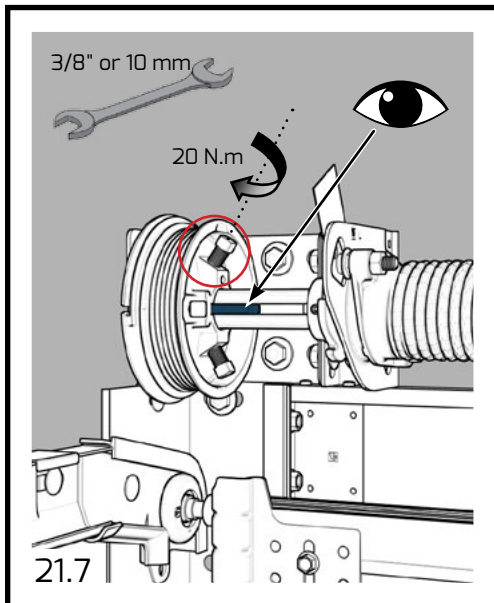


21.3

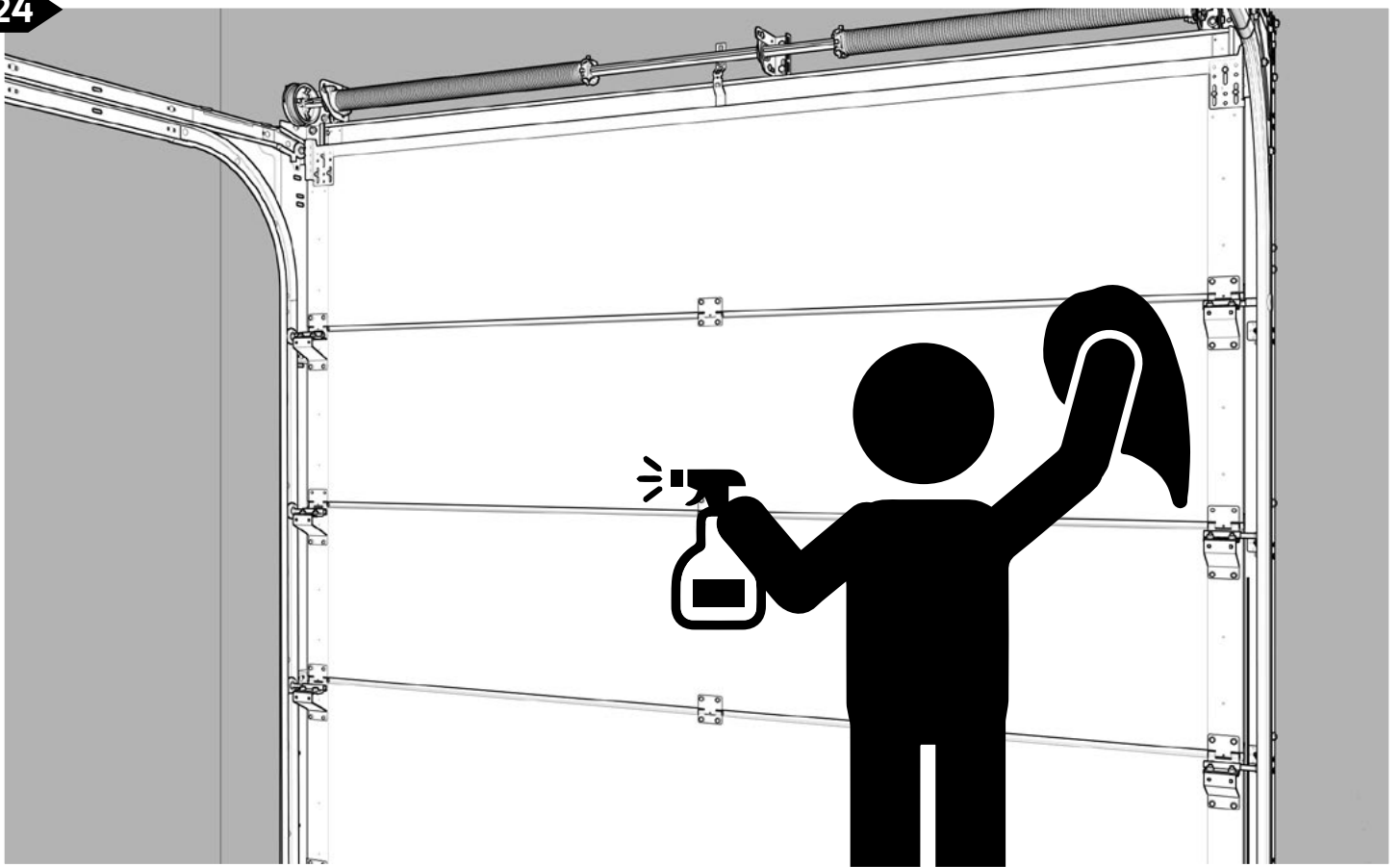
1/2 TURN MINIMUM



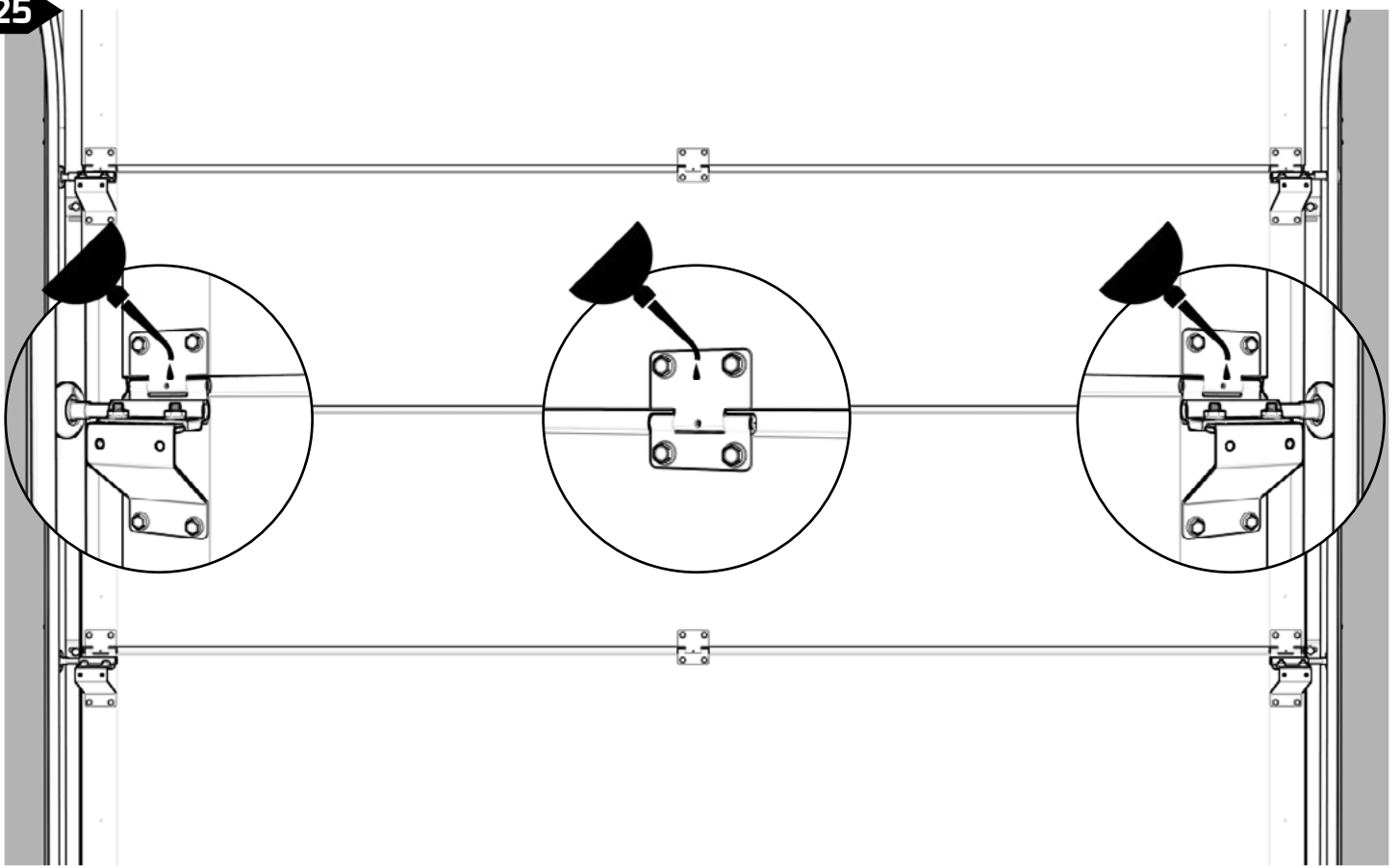




24



25



## OPERATION

Read the User Manual supplied by the manufacturer or door supplier before usage.

### Operating the door



#### WARNING

##### **Danger of injury during door travel**

The sectional door closes to the bottom vertically; persons or objects may be trapped.

- When operating the door, make sure that neither persons (children in particular), nor objects are located within the door's area of travel.
- Always keep the opening area of the door clear.
- Do not operate the door in strong winds.

The door must only be operated by **properly instructed** persons. If the sectional door is adequately assembled and inspected, it can be easily operated and moved.



#### WARNING

##### **Danger of injury due to improper operation**

Persons or objects may be trapped if the door is not operated properly.

- Only open and close the door using the supplied operating elements; these ensure a controlled, smooth action.
- When closing the door, make sure that the latches engage fully and properly.

### **Power operated doors**

The automation of a sectional door requires that special safety regulations be observed. Please consult your door operator supplier.

## PARTS EXPOSED TO WEAR AND TEAR TO BE REPLACED

**Mandated Test:** Durability test conducted at 5P.

The worst case scenario was tested = MAX door weight of 195 kg.

**The following parts listed below have been replaced during the product's durability test:**

- Springs
- Lifting cables

In the case which a spring or a cable rupture occurs, both springs and cables shall be replaced at the same time by the Service Provider.

## MAINTENANCE INSTRUCTIONS

An overhead door should be maintained and checked regularly to ensure safe operation and use. In accordance with CEN product standard EN 13241-1.



### WARNING

#### **Danger of injury due to high cable tension and high torques**

Cables and springs are under high tension. Damaged cables or springs may also cause serious injuries.

- Fix the door leaf to prevent uncontrolled movement before replacing damaged cables or springs.
- Be particularly careful when replacing damaged cables or springs.

#### **Danger of injury due to uncontrolled door drops**

If the system counterbalancing has not been properly adjusted, this may result in an uncontrolled door drop, which could trap persons or objects.

- Re-tension the springs.

#### **High tension**

Springs are under high tension stress and may discharge high forces if they are not secured during tensioning.

- Fix the door leaf in safe way in fully open position before tensioning the springs.

#### **After installation:**

- |   |                              |
|---|------------------------------|
| 1. Grease the running part of the tracks  | Trained and qualified person |
| 2. Grease the bearings and the shafts of the rollers  | Trained and qualified person |
| 3. Grease the bearings of the shaft   | Trained and qualified person |
| 4. Grease the hinge pins  | Trained and qualified person |
| 5. If the door leaf is protected by a protective foil,<br>it must be removed no later than one month after installation | Trained and qualified person |
| 5. Clean the door   | Trained and qualified person |

#### REGULAR MAINTENANCE

##### **After 3 months:**

- |  |                              |
|--|------------------------------|
| 1. Complete inspection visually                | Trained and qualified person |
| 2. Check balancing system and adjust if needed | Trained and qualified person |
| 3. Grease the above mentioned points if needed | Trained and qualified person |

##### **Every 6 months (or after every 750 cycles):**

- |  |      |
|--|------|
| 1. Check side seals for damage or wear and tear            | User |
| 2. Check top seal for damage or wear and tear              | User |
| 3. Check bottom seal for damage or wear and tear           | User |
| 4. Grease above mentioned points                           | User |
| 5. Clean the panels  | User |
| 6. Clean the windows (only water wash, do not use cloth)   | User |
| 7. Remove dirt and waste from the door or its surroundings | User |

**Every 12 months (or after every 1500 cycles):**

1. Check or test the fixation of the springs to the hook spring bracket
2. Check the balance of the door and adjust if needed
3. Check the cables for damage or wear and tear
4. Check the cable connection points on cable hook and bottom bracket
5. Check the roller for wear and free moving space
6. Check the hinges on breaking
7. Check the panels for damages, wear and rust
8. Check the spring breaking device according to instructions in manual
9. Check and test the safety edge system with operator
10. Check the manual operation of the door
11. Grease the springs

Trained and qualified person  
 Trained and qualified person  
 Trained and qualified person  
 Trained and qualified person  
 Trained and qualified person  
 Trained and qualified person  
 Trained and qualified person  
 Trained and qualified person  
 Trained and qualified person  
 Trained and qualified person  
 Trained and qualified person

**After two years (or after every 3000 cycles):**

1. Grease the above mentioned points
2. Check or test the fixation of the springs to the hook spring bracket
3. Check the balance of the door and adjust if needed
4. Check the cables for damage or wear and tear
5. Check the cable connection points on cable hook and bottom bracket
6. Check the roller for wear and free moving space
7. Check the hinges for breaking
8. Check the panels for damage, wear and rust
9. Check the spring breaking device according to instructions in manual
10. Check and test the safety edge system with operator
11. Check the manual operation of the door
12. Grease the springs
13. Check side seals for damage or wear and tear
14. Check top seal for damage or wear and tear
15. Check bottom seal for damage or wear and tear
16. Check the shaft for wear and tear or damage
17. Check the bottom bracket for wear and tear and damage
18. Check the connection of the drum to the shaft (keys!)
19. Check and re-fix the bolt of the coupler
20. Check the connections of the track system
21. Check the suspension of the door to the lintel and ceiling

Trained and qualified person  
 Trained and qualified person  
 Trained and qualified person  
 Trained and qualified person  
 Trained and qualified person  
 Trained and qualified person  
 Trained and qualified person  
 Trained and qualified person  
 Trained and qualified person  
 Trained and qualified person  
 Trained and qualified person  
 Trained and qualified person  
 Trained and qualified person  
 Trained and qualified person  
 Trained and qualified person  
 Trained and qualified person  
 Trained and qualified person  
 Trained and qualified person  
 Trained and qualified person  
 Trained and qualified person  
 Trained and qualified person  
 Trained and qualified person

**Use for greasing:** PTFE spray

**Use for cleaning:** Soft soap with water. Do not use aggressive soap or cloth.

## **DISMANTLING INSTRUCTIONS**

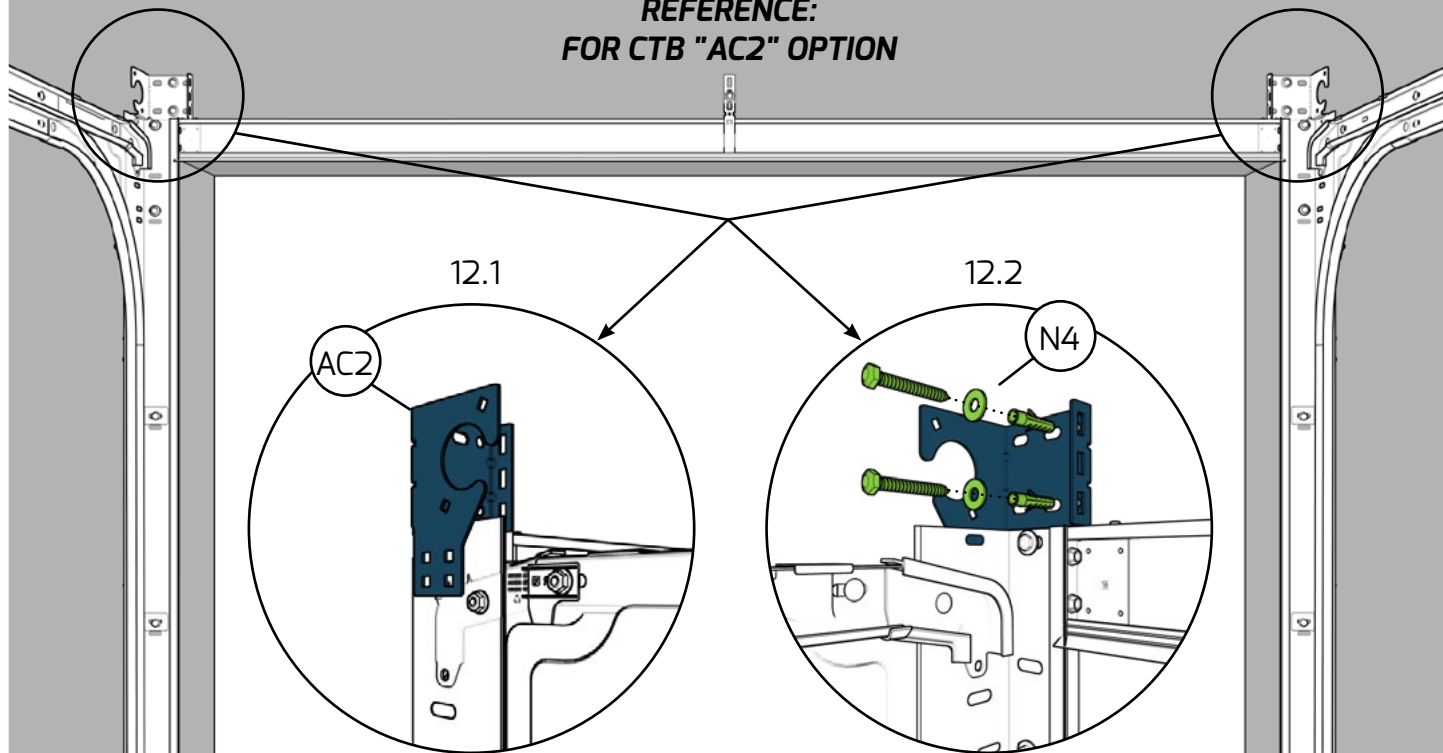
Dismantling can only be performed by qualified service providers and competent service technicians. Dismantle the door in accordance with these assembly instructions, in the logically reverse order.

# APPENDIX

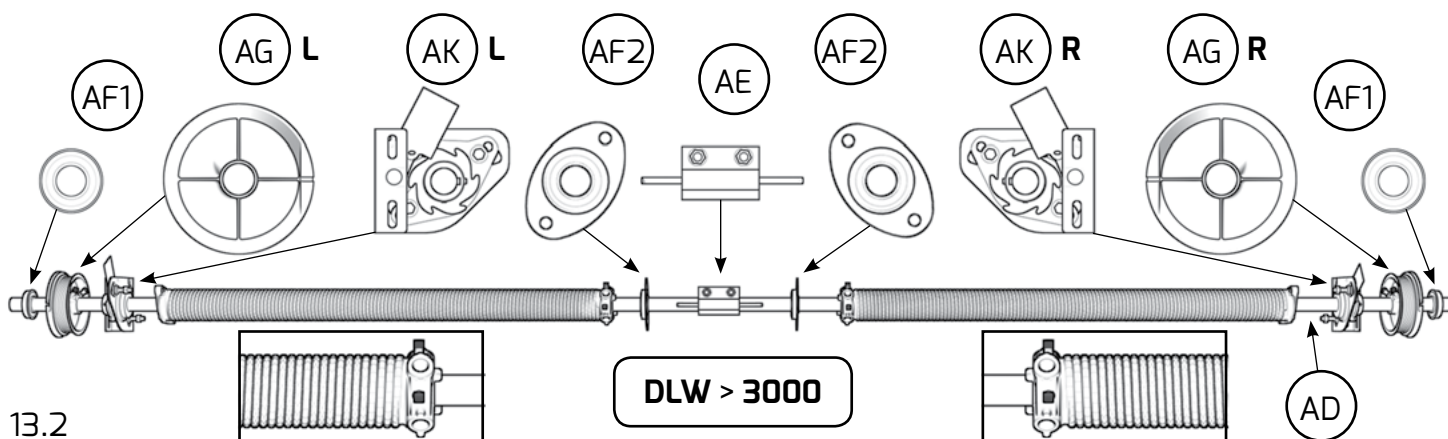
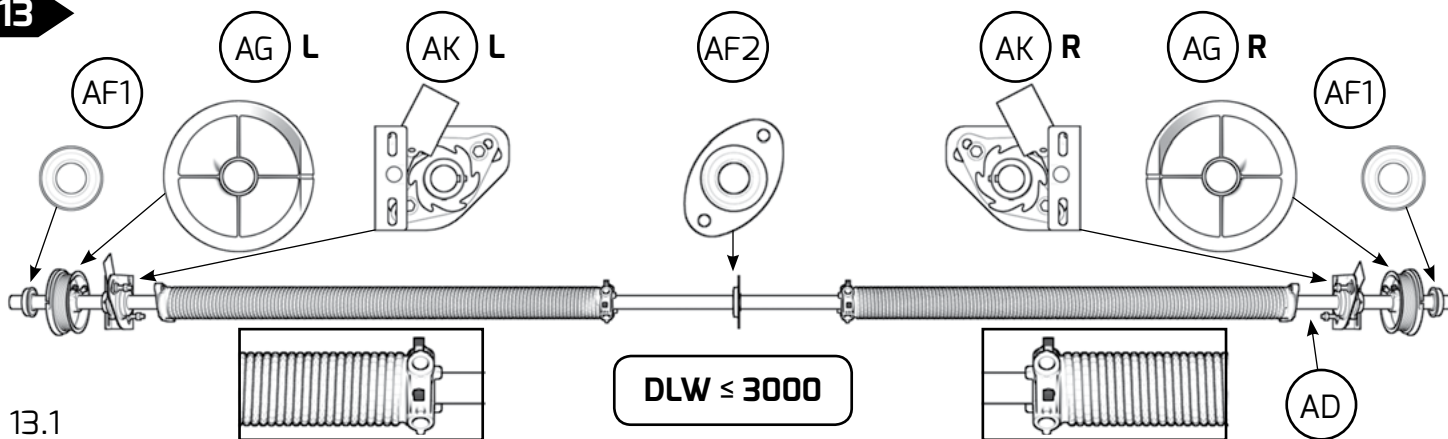
# APPENDIX 1

12

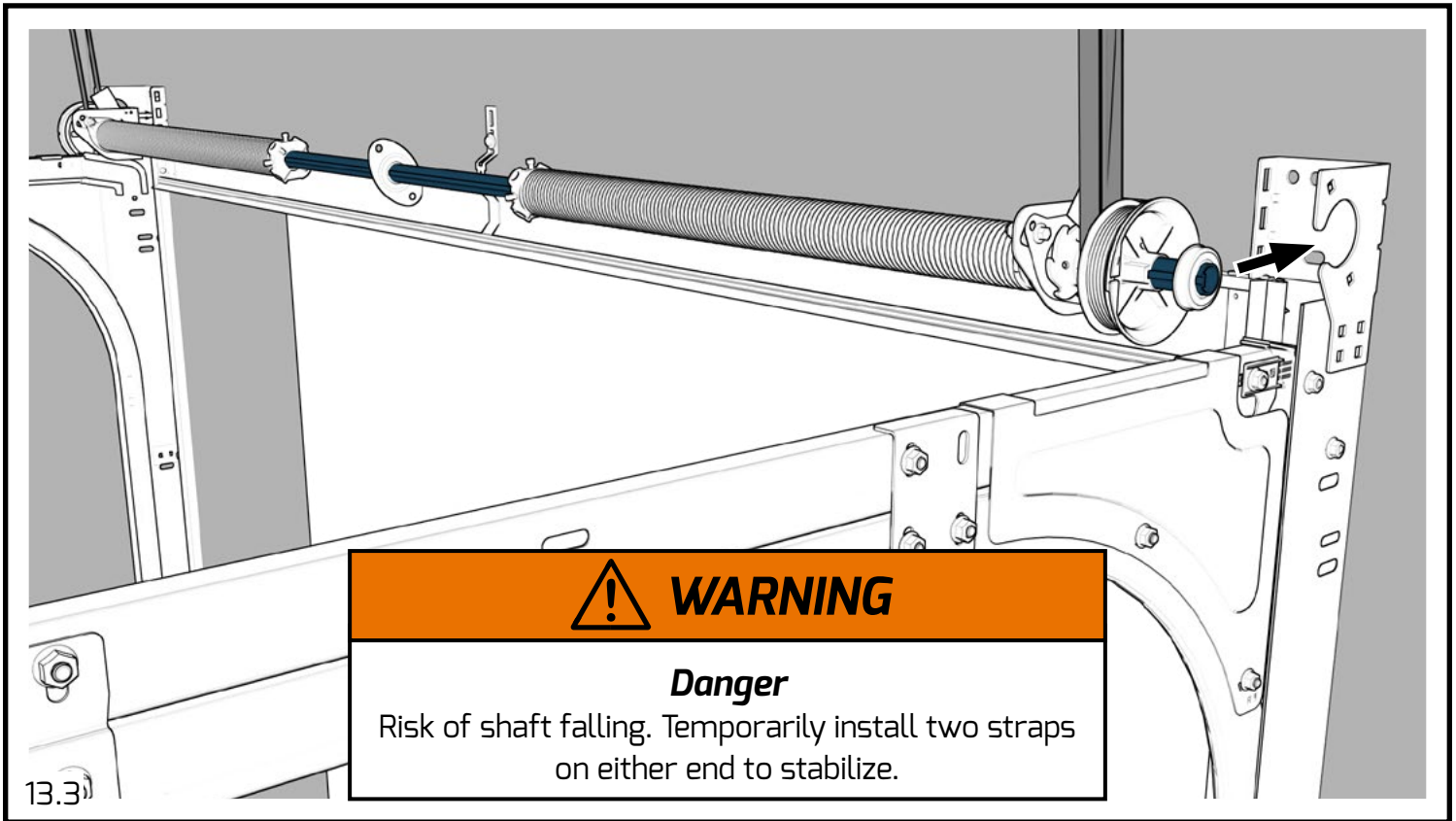
**REFERENCE:  
FOR CTB "AC2" OPTION**



13



## APPENDIX 2





**CANIMEX INC.**

285, Saint Georges, Drummondville  
(Québec) Canada J2C 4H3

1-855-777-1335 | 1-819-477-1335

**canimex.com** | [torqueforce@canimex.com](mailto:torqueforce@canimex.com)